

# NDT995

## DRIVER

### DESCRIPTION

The 4-inch pure titanium dome NDT995 compression driver focuses on maximizing linearity, precision and long-term reliability. It is mainly suitable for professional line arrays and point source applications. Its motor structure features a high-flux density neodymium magnet assembly with a copper demodulation ring to reduce harmonic and intermodulation distortion. The 4" class-leading design utilizes a Kapton former, inside-outside ultralight edge wound aluminum wire and a 4-slot phase plug to deliver minimum distortion across its operating bandwidth. The high sensitivity at 110 dB, 280 Watts continuous power handling at 8 ohms, and very low recommended crossover point from 650 Hz make it ideal for integration with waveguides in two-way high-powered systems.



### FEATURES

- 4.0 inch, Titanium dome, polyimide surround
- 280W continuous program power handling @ 8Ω
- Frequency range: 500Hz - 20kHz
- Kapton former, inside/outside edge wound aluminum voice coil
- 4-slot optimized geometry phase plug
- Copper inductance ring for extended response
- Low recommended crossover point

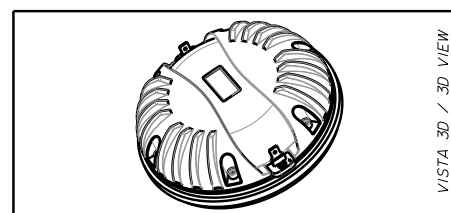
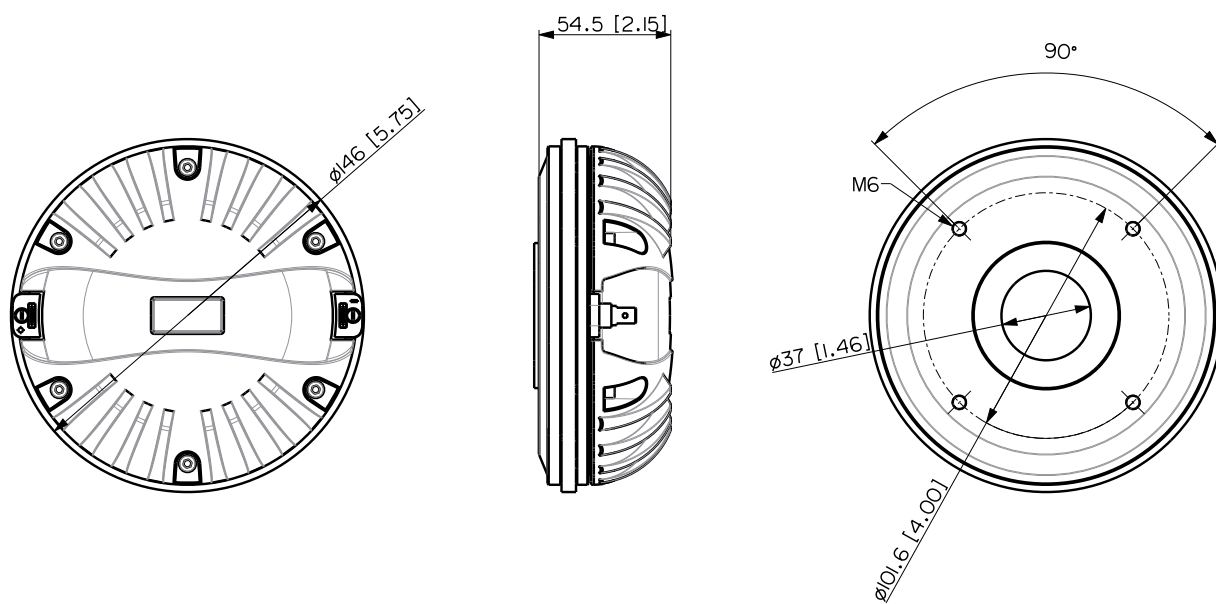
**TECHNICAL SPECIFICATIONS**

<b>General specifications</b>	Exit Throat Diameter:	1.4 inch / 36 mm
	Related Impedance:	8 ohm
	Program Power (watt):	280 W
	Power handling capacity (watt):	140 W
	Sensitivity:	110 dB
	Frequency range:	500 - 20000 Hz
	Suspension Design:	Flat
	Minimum Impedance (ohm):	8.50 ohm
	Voice Coil Diameter:	4.0 inch / 102 mm
	Voice Coil Former Design:	Direct Drive Kapton
	Number of layers:	1
	Kind of layers:	inside/outside
	Flux Density:	2.0 T
	Phase Plug Design:	4 slot
<hr/>		
<b>Thiele - small parameters</b>	BI factor (BI) (T x m):	17.60 T x m
<hr/>		
<b>Mounting information</b>	Overall diameter:	146 mm / 5.75 inches
	Overall height:	55 mm / 2.17 inches
	Mounting:	4 x 6 mm threaded holes at 90°
<hr/>		
<b>Standard compliance</b>	Safety agency:	CE compliant
<hr/>		
<b>Shipping information</b>	Package Height:	79 mm / 3.11 inches
	Package Width:	169 mm / 6.65 inches
	Package Depth:	171 mm / 6.73 inches
	Package Weight:	2.92 kg / 6.44 lbs

**PART NUMBER**• **15100033**

NDT995

8ohm



	C.DRIVER NDT995 8 OHM	REV. A
--	-----------------------	-----------

