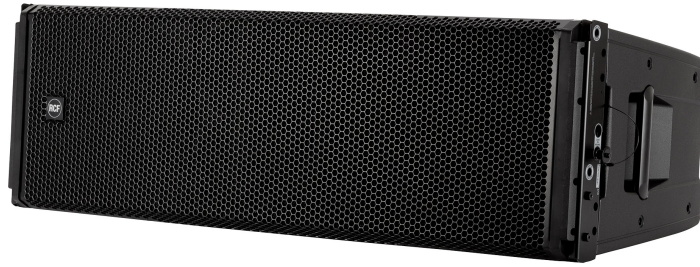




HDL 50-A 4K

ACTIVE THREE-WAY LINE ARRAY MODULE



Description The HDL 50-A 4K is an active 3-way line array module for large-sized events, indoors and outdoors. It features a sound pressure level of 143 dB SPL with a built-in 8000 W PEAK, 4000W RMS Class-D four-channel amplifier. Equipped with eight best-of-class transducers, it offers excellent playback quality ideal for professional musical applications. The proprietary 90 x 10 degrees 4PATH waveguide with the symmetrical design of the cabinet delivers optimal coverage.

- Features**
- › 8000 Watt power, 4 x onboard amplifiers
 - › 143 dB max SPL
 - › RDNet networked management and monitoring
 - › 48 kHz, 32 bit DSP processing
 - › 2 x 12" neodymium woofers
 - › 4 x 6" neodymium woofer midrange
 - › 2 x 3" titanium dome neodymium compression drivers
 - › Remarkably compact and lightweight

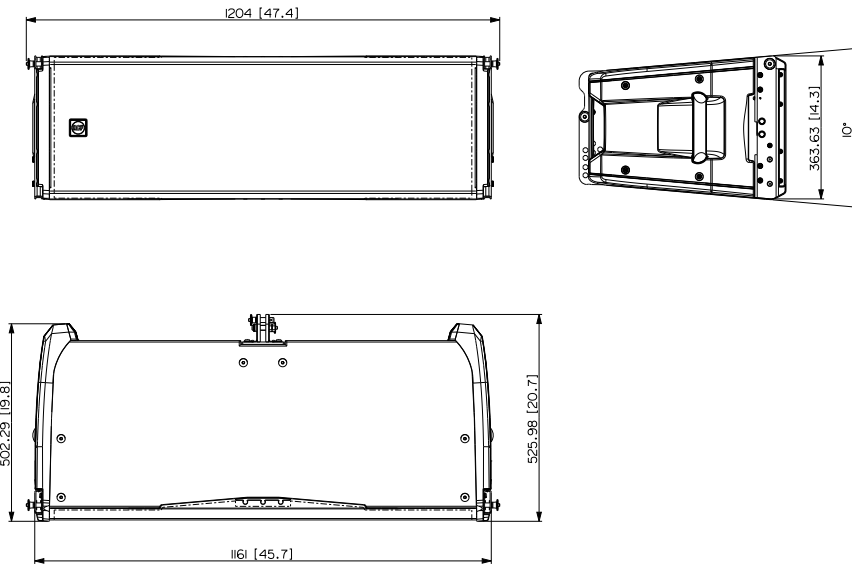
Part Number 13000641 HDL 50-A 4K 90-240 V Black EAN 8024530017736



HDL 50-A 4K

ACTIVE THREE-WAY LINE ARRAY MODULE

Line Art 2D



TECHNICAL SPECIFICATIONS

| | | | |
|----------------------------------|--------------------------------|------------------------------------|----------------------|
| Acoustical specifications | Frequency Response | 40 Hz ÷ 20000 Hz | |
| | Max SPL @ 1m | 143 dB | |
| | Horizontal coverage angle | 90° | |
| | Vertical coverage angle | 10° | |
| Transducers | Compression Driver | 2 x 1.4" neo, 3.0" v.c | |
| | Midrange | 4 x 6.0" neo, 2.0" v.c | |
| | Woofer | 2 x 12" neo, 3.0" v.c | |
| Input/Output section | Input signal | bal/unbal | |
| | Input connectors | XLR, RDNet Ethercon | |
| | Output connectors | XLR, RDNet Ethercon | |
| | Input sensitivity | +4 dBu | |
| Processor section | Crossover Frequencies | 200 Hz - 800 Hz | |
| | Protections | Thermal, RMS | |
| | Limiter | Soft Limiter | |
| | Controls | Cluster size, HF correction, RDNET | |
| Power section | RDNet | Onboard | |
| | Total Power | 8000 W Peak | |
| Standard compliance | High frequencies | 2000 W Peak | |
| | Mid frequencies | 2000 W Peak | |
| | Low frequencies | 4000 W Peak | |
| | Cooling | Convection | |
| | Connections | Powercon IN/OUT | |
| | Safety agency | CE compliant | |
| | Physical specifications | Cabinet/Case Material | Baltic birch plywood |
| | | Hardware | Integrated Mechanics |
| Handles | | 2 side, 2 rear | |
| Grille | | Steel | |
| | Color | Black | |



HDL 50-A 4K

ACTIVE THREE-WAY LINE ARRAY MODULE

| | | |
|----------------------|--------|-----------------------|
| Size / Weight | Height | 366 mm / 14.41 inches |
| | Width | 1171 mm / 46.1 inches |
| | Depth | 502 mm / 19.76 inches |
| | Weight | 58.4 kg / 128.75 lbs |

| | | | |
|-------------------------------------|-------------------------------------|-------------------|-------------------|
| Rigging / Mounting | ACCESSORIES | | |
| | AZIMUT BRACKETS | | |
| | 13360351 AZM-BR 2X | Black | EAN 8024530013516 |
| | FLY BAR EXTENSION | | |
| | 13360452 FL-B EXT HDL 50 | Black | EAN 8024530019716 |
| | FLY BARS | | |
| | 13360334 FL-B HDL 50 | Black | EAN 8024530013240 |
| | LINK BARS | | |
| | 13360389 FL-B LINK HDL 50-30 | Black | EAN 8024530015398 |
| | QUICK LOCK PINS | | |
| | 13360613 QL-PIN 007 | Black | EAN 8024530020644 |
| | 13360633 QL-PIN 010 | Black | EAN 8024530022426 |
| | 13360132 QL-PIN D11.1 L44.5 4X | Silver | EAN 8024530017989 |
| | SUSPENSION CHAINS | | |
| | 13360129 HOIST SPACING CHAIN CH 001 | Black | EAN 8024530020774 |
| | COVERS | | |
| | 13360338 CVR 4X HDL 50 | | EAN 8024530013554 |
| | RAIN PROTECTIONS | | |
| | 13360337 RP 1X HDL 50 | Black | EAN 8024530013288 |
| KART WITH WHEELS | | | |
| 13360336 KRT-WH 4X HDL 50 | Black | EAN 8024530013271 | |
| Cables | | | |
| CABLES | | | |
| 12399019 CBL ETHERCON TO XLR F 0.2M | Black | EAN 8024530013882 | |
| 12399020 CBL ETHERCON TO XLR M 0.2M | Black | EAN 8024530013899 | |
| CABLES KIT | | | |
| 13360102 AC XLR 3M3F | | EAN 8024530006402 | |
| 12399016 CBL ETHERCON 0.7M | Black | EAN 8024530013844 | |
| 12399017 CBL ETHERCON 1.5M | Black | EAN 8024530013851 | |
| 12399035 CBL ETHERCON 3M | Black | EAN 8024530013868 | |
| 12399018 CBL ETHERCON 5M | Black | EAN 8024530013875 | |
| 12399023 CBL LK 25 MULTIPIN 10M | Black | EAN 8024530013837 | |
| 12399022 CBL LK 25 MULTIPIN 20M | Black | EAN 8024530013820 | |
| 12399024 CBL LKS 19 ARRAY FANOUT | Black | EAN 8024530013905 | |
| 12399026 CBL LKS 19 BREAKOUT | Black | EAN 8024530013929 | |
| 12399027 CBL LKS 19 POWER 10M | Black | EAN 8024530013936 | |
| 13360146 CBL LKS 19 POWER 20M | | EAN 8024530013943 | |
| 12399025 CBL LKS 19 SUB FANOUT | Black | EAN 8024530013912 | |
| 12399021 CBL LKS 25-2 FANOUT | Black | EAN 8024530013813 | |
| 13360145 CBL POWER BOX 6X | Black | EAN 8024530015534 | |
| 12399031 CBL POWERCON LINK 0.7M | Black | EAN 8024530013738 | |
| 12399030 CBL POWERCON LINK 1.5M | Black | EAN 8024530013721 | |
| 12399028 CBL POWERCON LINK 10M | Black | EAN 8024530013707 | |
| 12399029 CBL POWERCON LINK 5M | Black | EAN 8024530013714 | |
| 13360138 POWER CABLE X6 TTL 55-A | | | |