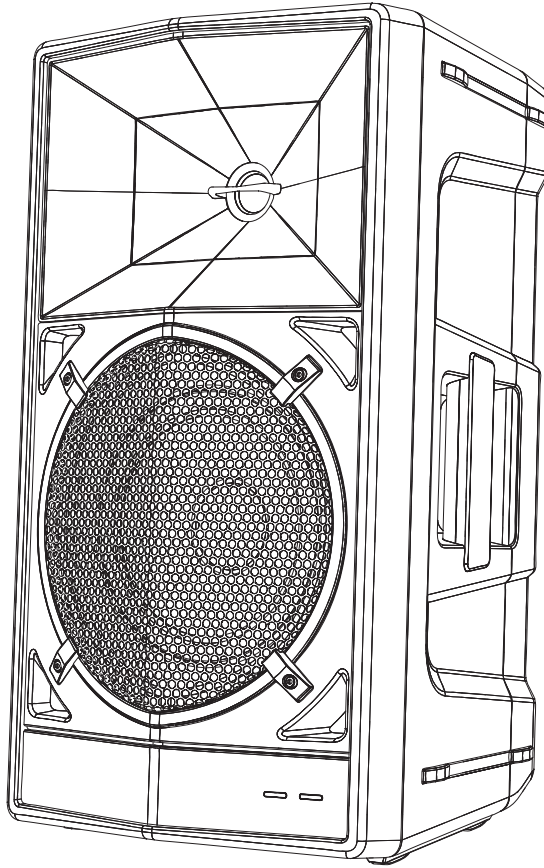


Instruction Manual



Professional Portable DJ Speaker System

WAVE-EIGHT

alphatheta.com/support/

For FAQ and other support information for this product, visit the website above.

Introduction

How to read this manual

- Thank you for purchasing this AlphaTheta product.
Be sure to read this manual, the Quick Start Guide and the Precautions for Use which are also included with this product. These documents include important information that you should understand before using the product.
- The specifications and design of this product are subject to change without notice.

What's in the box

- Main unit × 1
- Transmitter × 1
- Power cable × 1
- Transmitter charging/transmission cable × 1
- RCA cable × 1
- Quick Start Guide × 1
- Precautions for Use × 1
- Warranty (for some regions)*¹

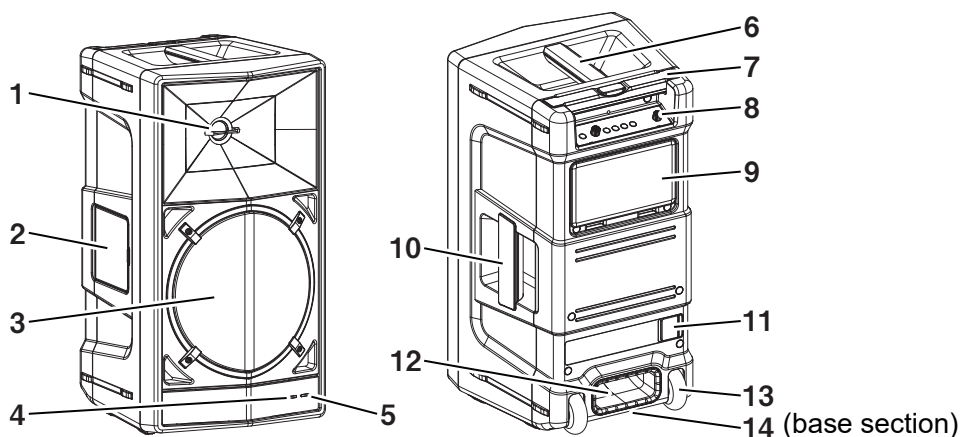
*¹ Only products in Europe.

Products in North America and Japan include warranty information in the Precautions for Use.

Operating methods

Part names

Speaker



- 1. 1-inch soft dome tweeter**
- 2. Transmitter housing, protective cover** (page 14, page 20)
- 3. 8-inch aramid-fiber woofer**
- 4. Wireless indicator (green/blue)**

Displays the status of the speaker's wireless function. Lights up and blinks in green when using SonicLink, and in blue when using Bluetooth.
- 5. Power indicator (white/red)**

Lights up in white when the unit is powered on. Blinks when the battery level is low. Turns off during power off. Lights up in red when the input level is too high and the sound is distorted. If this happens, lower the input level.
- 6. Top handle** (page 11)
- 7. Telescopic handle** (page 12)
- 8. Operation panel** (page 4)
- 9. Rear terminal protective cover** (page 14)
- 10. Side handle** (page 11)

11. AC IN, protective cover (page 14)

Connect the power cable, then connect the cable to a power outlet. Connect the power cable after all connections between devices have been made. Be sure to use the supplied power cable.

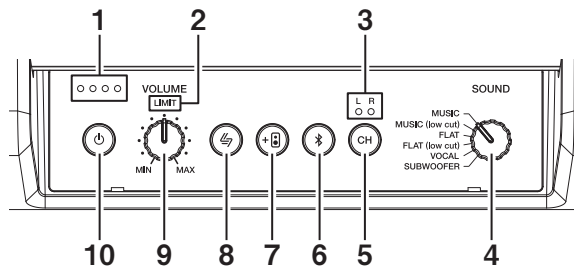
12. Bass reflex duct

The Vortex Bass Accelerator configuration enables high-speed deep bass reproduction.

13. Casters (page 12)

14. 35 mm pole mounting socket (page 13)

Operation panel



1. Battery indicator (white)

The lit/blinking pattern of the LEDs indicates the remaining battery level. The LEDs blink during charging.

2. LIMIT indicator (red)

Lights up in red when the internal limiter kicks in, or when the input level is too high and the sound is distorted. If this happens, lower the volume of the connected device or lower the volume of the speaker.

3. Channel selector indicator (white)

Indicates the selected playback channel. The input signals are mixed when both L and R are lit, so be sure to pay attention to the volume.

4. SOUND mode switch (page 28)

Switches between sound modes.

5. Channel selector button


Switches between stereo sound source playback channels.

6. Bluetooth button/indicator (blue) (page 22)

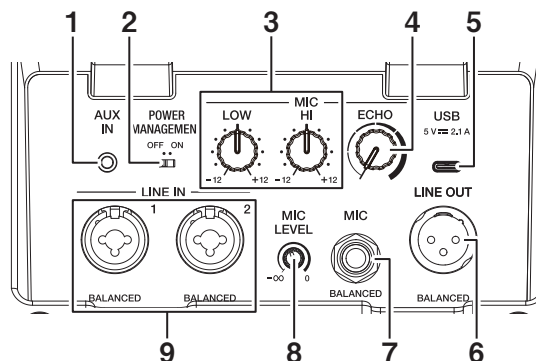
Controls pairing with a Bluetooth device.

- 7. Wireless Link button/indicator (white)** (page 20, page 26)
Connects multiple speakers.
- 8. SonicLink button/indicator (green)** (page 16)
Controls pairing with a SonicLink transmitter.
- 9. VOLUME knob**
Adjusts the volume.
- 10. Power button/indicator (white)**
Turns the power on/off. Lights up when the unit is powered on. Turns off during power off.

Cautions

The  switch on this unit will not completely shut off all power from the AC outlet. Since the power cord serves as the main disconnect device for the unit, you will need to unplug it from the AC outlet to shut down all power. Therefore, make sure the unit has been installed so that the power cord can be easily unplugged from the AC outlet in case of an accident. To avoid fire hazard, the power cord should also be unplugged from the AC outlet when left unused for a long period of time (for example, when on vacation).

Rear terminal section



- 1. AUX IN terminal**
A 3.5 mm stereo mini plug-type unbalanced input terminal.
- 2. POWER MANAGEMENT switch** (page 29)
Turns the auto power off function on/off.

WARNING

Power consumption increases when POWER MANAGEMENT switch is turned off.

3. MIC EQ knobs

Adjust the balance of the microphone sound between the bass (LOW) and treble (HI).

4. MIC ECHO knob

Adjusts the echo applied to the microphone sound.

5. USB terminal (page 29)

Supplies power to USB devices. 5 V/Max. 2.1 A

6. LINE OUT

An XLR output terminal (balanced). Outputs the currently playing signal. Adjustment of the volume and switching of the sound mode is not possible. Be careful not to connect the power cables of other products. And do not connect devices that can supply phantom power to this terminal.

7. MIC input terminal (1/4" TRS jack)

Only compatible with phone plugs (1/4"/6.35 mm). When connecting or disconnecting a microphone, rotate the MIC LEVEL knob to the MIN (minimum) side before connecting/disconnecting.

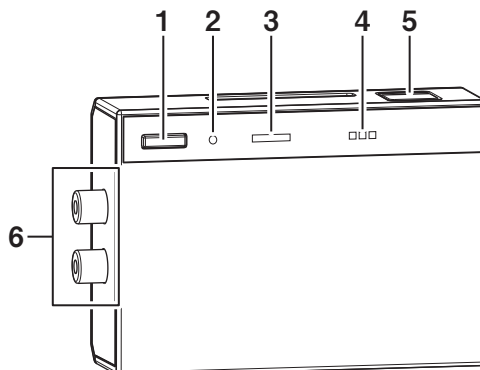
8. MIC LEVEL knob

Adjusts the sound level input from the MIC input terminal. The level of audio amplification (gain) applied to the sound input to the microphone varies significantly depending on the microphone. Adjust the sound level to suit the microphone you're using.

9. LINE IN 1, LINE IN 2 input

Compatible with both XLR terminal (balanced) and 1/4" TRS (balanced, phono) plugs. The XLR terminal layout is: No. 1 = Ground, No. 2 = Hot, No. 3 = Cold.

Transmitter



1. **Power/pairing button**

Use this when power on/off the transmitter and pairing with the speaker.

2. **Connection indicator LED (white)**

Indicates the status of power and SonicLink functions.

3. **Input indicator LED (green/red)**

Indicates the input signal status. Lights up in red when the input level is too high and the sound is distorted. If this happens, lower the input level.

4. **Battery level indicator LEDs (white)**

The lit/blinking pattern of the LEDs indicates the remaining battery level. The LEDs blink during charging.

5. **Charging/transmission terminal**

Connect the supplied charging/transmission cable (USB Type-C) to charge the transmitter or to make the daisy chain connection.

6. **RCA INPUT terminal**

Connect the supplied RCA cable.

How to charge the speaker

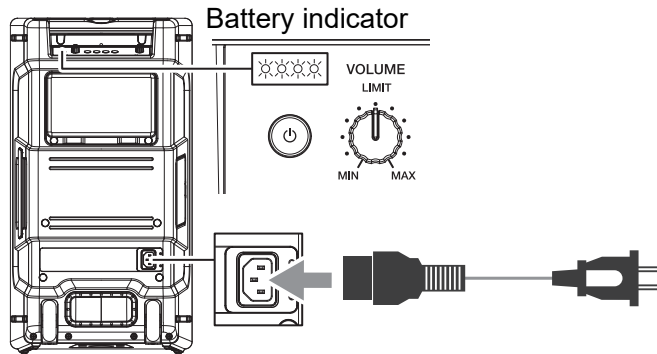
Be sure to charge the speaker before the first time you use it.

Speaker

1 **Connect to a power outlet with the supplied power cable.**

- The battery indicator lights up/blinks when charging starts.
- The time it takes to fully charge a battery from empty is as follows.
 - When power is off: approximately 4 hours
 - When power is on: approximately 6 hours

- A fully charged battery gives you approximately 8 hours' playback time. (Sometimes less depending on the conditions of use.)



Battery indicator display (speaker)

The lit/blinking pattern of the LEDs indicates the remaining battery level.

Battery level	LED pattern	
100% to 80%	4 lights	○ ○ ○ ○
80% to 60%	3 lights	○ ○ ○ ●
60% to 40%	2 lights	○ ○ ● ●
40% to 20%	1 light	○ ● ● ●
20% to 0%	1 blink	☀ ● ● ●
Charging 0% to 40%	1 blink	☀ ● ● ●
Charging 40% to 60%	1 light, 1 blink	○ ☀ ● ●
Charging 60% to 80%	2 lights, 1 blink	○ ○ ☀ ●
Charging 80% to 99%	3 lights, 1 blink	○ ○ ○ ☀
Charged 100%	4 lights*	○ ○ ○ ○

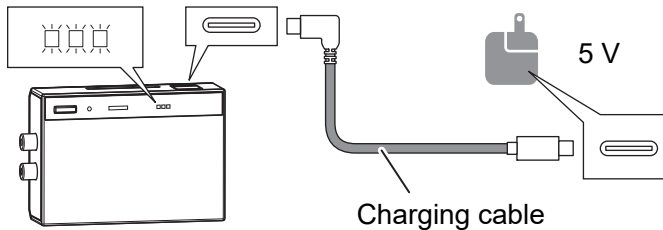
* When the speaker's power button is turned off, the LEDs turn off when the battery is fully charged.

Transmitter

1 Connect to a USB power supply with the charging cable.

- The battery level indicator LEDs light up/blink when charging starts. Charging is complete when the indicator turns off.
- The time it takes to fully charge a battery from empty is as follows.
 - When power is off: approximately 4 hours
 - When power is on: approximately 6 hours
- A fully charged battery gives you approximately 8 hours' playback time. (Sometimes less depending on the conditions of use.)

Battery level indicator LEDs



Notes

- The recommended charging temperature range is $+10^{\circ}\text{C} - +35^{\circ}\text{C}$ ($+50^{\circ}\text{F} - +95^{\circ}\text{F}$).
 - * It may take some time to start charging depending on the conditions of use.
- When charging while using the transmitter, some power supply devices may generate unwanted noise.
- Use the supplied charging/communication cable. If a cable other than the supplied cable is used, pay close attention to whether symptoms such as charging stopping halfway or abnormal heat generation are shown.
- The charging time may differ due to the ambient temperature and the conditions of use.

Cautions regarding the charging cable

- Do not use connectors if the terminal section has been twisted.
- When connecting the connector, check the connection direction and insert it directly.
- Do not allow fluids (e.g. sweat or water) or foreign matter (e.g. dust or small items of debris, metal) to stick to the connector section.

Battery level indicator LEDs (transmitter)

The lit/blinking pattern of the LEDs indicates the remaining battery level.

Battery level		LED pattern
100% to 70%	3 lights	□ □ □
70% to 30%	2 lights	□ □ ■
30% to 10%	1 light	□ ■ ■
10% to 0%	1 blink	⏻ ■ ■
Charging 0% to 30%	1 blink	⏻ ■ ■
Charging 30% to 70%	1 light, 1 blink	□ ⏻ ■
Charging 70% to 99%	2 lights, 1 blink	□ □ ⏻
Charged 100%	3 lights → Turns off*	□ □ □ → ■ ■ ■

* When the battery is fully charged, the LEDs turn off.

Built-in rechargeable battery

To prevent degradation of the built-in rechargeable battery, be sure to charge the battery once every six months, even if you don't use the product for a long time.

Installation methods

Playback sound from the speaker can easily be affected by subtle differences in installation conditions. To enjoy optimum performance, please give careful consideration to the installation location before installing the speaker.

- To prevent the product from tipping over, be sure to install it on a solid, level area.

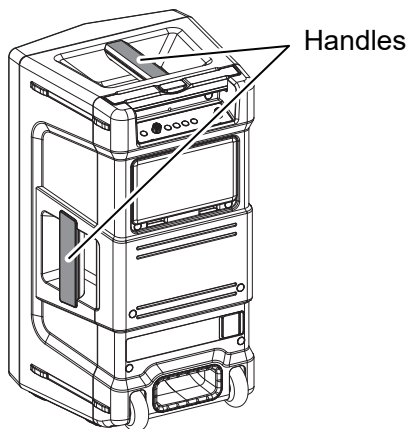
Cautions

When installing this unit, make sure to leave space around the unit for ventilation to improve heat radiation (at least 15 cm at top, 15 cm at rear, and 15 cm at each side).

Failing to leave space between the speaker and the walls and other devices may cause heat to build up inside the speaker which could degrade performance or cause a malfunction.

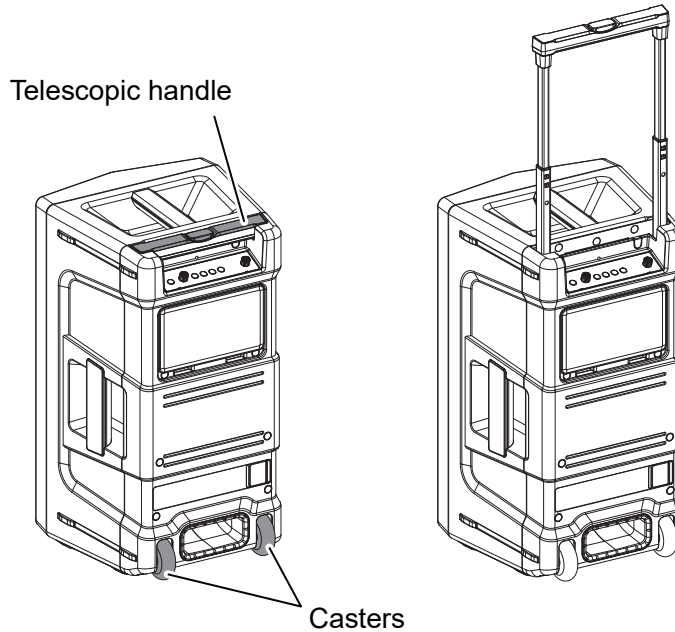
Carrying the speaker

- When transporting or installing the speaker, use the handles on the top and side.
- Before moving the speaker, check that all cables have been disconnected.

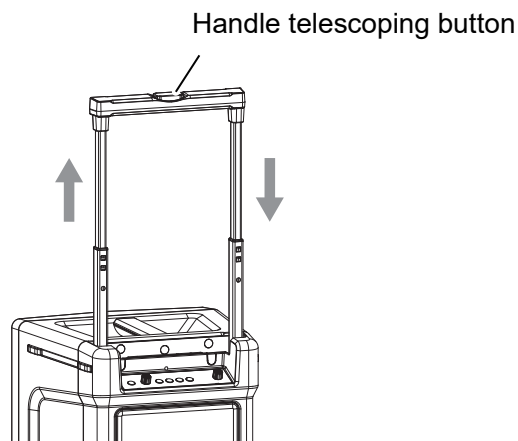


Telescopic handle, casters

The telescopic handle and the casters make it easier to transport the speaker.



- Press the handle telescoping button in the center of the telescopic handle while pulling out the handle.
- Slide the handle directly out slowly until you hear a click. Check that the handle is fixed in place before you use it.
- When stowing the telescopic handle, press the button in the center of the telescopic handle and stow the handle.



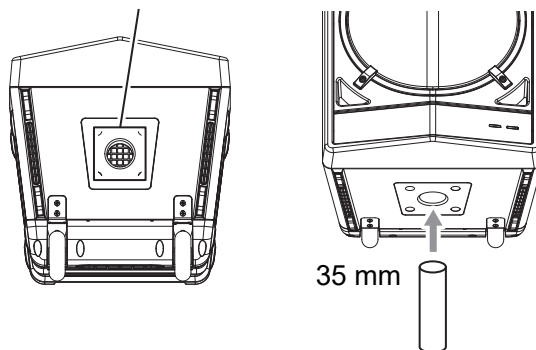
Cautions

- When raising or lowering the telescopic handle, take care to avoid getting your fingers caught in the pipe joints or between the handle and speaker.
- The telescopic handle is for use when transporting the speaker on the casters. Do not use the telescopic handle to lift the speaker. Doing so may result in damage. When lifting the speaker, be sure to use the product handles on the top and side of the speaker.
- Do not touch the handle telescoping button when transporting the speaker. The handle may telescope unintentionally, which could cause an accident.
- Take due care with regard to people and objects in the vicinity when moving the speaker on the casters. The speaker may tip over or cause accidents if handled without care.
- Take care to ensure the speaker doesn't tip over when you release the telescopic handle after moving the speaker on the casters.
- Take care not to allow sand or dust to adhere to, or fabric scraps to get caught in, the caster axles as this may cause the casters to malfunction.
- Do not touch the casters immediately after using them. Doing so may result in burns from the frictional heat caused when the casters are moving.
- Attempting to use casters on stairs or in places with uneven surfaces is dangerous. Doing so may damage the speaker or cause it to tip over. Be sure to hold the product handles on the top and side of the speaker and carry it instead.

Pole mount

The speaker features a 35 mm diameter pole mounting socket on its base. When using a speaker pole (stand), check the following cautions and install it safely.

Pole mounting socket

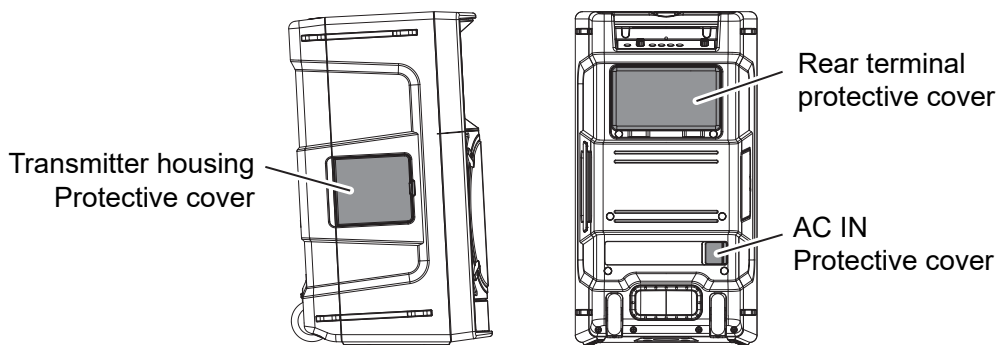


Cautions

- Installation must be completed by a professional technician. Improper installation can result in equipment damage and even injury.
- When using a speaker pole, install in a stable location.
- When lifting the speaker, give sufficient consideration to safety as you work. Perform the installation with two or more people if necessary.
- Use a 35 mm diameter speaker pole (stand). When mounting the speaker on a speaker pole, be sure not to drop it onto the pole or the floor.
- Be sure to check the load capacity and attachment method for the speaker pole (stand) you're using.
- Ensure there is no danger of the pole tipping over.
- Do not push the speaker after installation and do not apply a strong load to its sides. Doing so may cause the speaker to tip over and injure someone or damage the speaker.
- To prevent people from tripping and tipping the speaker over, keep cables out of the way by bundling them with tape or cable ties when installing the speaker.

Waterproof performance

- The speaker has a waterproof rating equivalent to IPX4 as specified in IEC 60529.
- To ensure proper waterproof performance, the speaker must be in an upright position with the protective covers on the rear and sides closed securely.
- Check the following cautions and be sure to use the speaker correctly.



Cautions

- The speaker is not completely waterproof. Do not deliberately drop it in water or use it in water.

- The speaker can't provide proper waterproof performance if installed horizontally. If installed in this configuration, do not leave the speaker in surroundings where it may become wet. Water may penetrate inside the product and cause a malfunction.
- The speaker terminals (AC IN, USB charging, audio inputs, and MIC input) and accessories are not waterproof. Do not expose any of the terminals to water when using them.
- The transmitter is not waterproof. Do not expose it to water. When using the speaker with the transmitter stored inside the speaker, securely close the protective covers on the speaker.
- Do not connect any cables while the product is wet. Dry the connectors before connecting to AC power.

Turning the power on/off


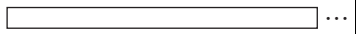
Turning the power on

- 1 Press and hold the power button for approximately 1 second.

Turning the power off

- 1 Press and hold the power button for approximately 2 seconds.

Power indicator display pattern

Action	LED pattern	
Power off	Turns off	
Startup or shutdown in progress	Blinks slowly	
Power on	Lights up	

Listening to music

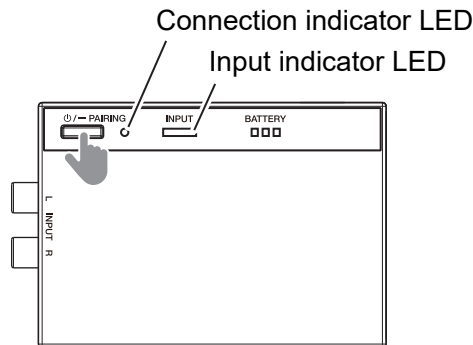
- When connecting or changing a device, be sure to turn off the power and disconnect the power cable from the power outlet.
- Also read the user manual of the device you want to connect.
- Connect the power cable after all connections between devices have been made.
- Be sure to use the supplied power cable when connecting to a power supply.
- You can't make SonicLink and Bluetooth connections at the same time. Only one of the two will be enabled.
- AUX input will not be output when a SonicLink or Bluetooth connection is active. Only one sound source can be played back at a time.
- LINE IN 1, LINE IN 2, and MIC input will always be output, regardless of the above playback sound sources.
- The playback channel of the stereo input signals from AUX, SonicLink, or Bluetooth changes according to the channel selector setting.
- The stereo input signals are mixed when both L and R channels are selected, so be sure to pay attention to the volume.

Connecting via SonicLink

Prepare the transmitter

- 1 Bring the transmitter within approximately 1 m of the speaker.**
- 2 Connect the transmitter to the RCA output terminal of a DJ device (such as a DJ mixer or DJ controller) using the supplied RCA cable.**

3 Press and hold the transmitter power/pairing button for 5 seconds to turn the power on and enter Pairing mode.



- When the transmitter enters Pairing mode, the connection indicator LED double-blinks repeatedly.

Transmitter connection indicator LED display pattern

The lit/blinking pattern of the LED indicates the wireless connection status of the transmitter.

Action	LED pattern	
Power off	Turns off	
Connection waiting state	Blinks slowly	
Pairing mode	Double-blinks repeatedly	
Connection complete	Lights up	

Transmitter input indicator LED display

The lit state changes depending on the level of the input signal.

Action	LED pattern	
No input	Turns off	
Signal input	Lights green	
Signal input level is too high	Lights red	

How to turn off the transmitter

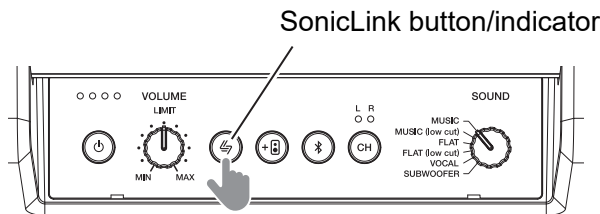
Press and hold the power/pairing button for about 3 seconds.

Pair and connect the speaker and transmitter

1 Turn the speaker power on.



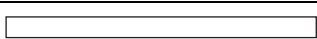
2 Press and hold the SonicLink button for approximately 3 seconds.

- When the speaker enters Pairing mode, the indicator double-blinks repeatedly.
- When the indicator blinks slowly, the speaker is in the connection waiting state. Press and hold the SonicLink button again for 3 seconds to switch to Pairing mode.
- When using a Bluetooth connection, the Bluetooth connection ends and the speaker switches to SonicLink mode.



Speaker SonicLink indicator display pattern

The lit/blinking pattern of the indicator indicates the status of the SonicLink function.

Action	LED pattern
Connection waiting state	Blinks slowly  ...
Pairing mode	Double-blinks repeatedly  ...
Connection complete	Lights up  ...

3 Check the connection with the transmitter.

- The connection indicator LED blinks until connection is complete.
- When pairing is complete, the indicator lights up.

Notes

- When connection with a device does not complete within approximately 3 minutes, Pairing mode is canceled and the indicator turns off. If this happens, start the pairing again.
- After connection completes, sound may be output at very high volume the first time sound is played back. We recommend lowering the speaker volume before playback.

- To pair with another transmitter, turn the currently connected transmitter off or disconnect it before pairing.
- Pressing the button while not connected to a transmitter will cause the speaker to attempt to reconnect to the last connected transmitter.
- If the speaker is near a transmitter it was previously connected to, it may connect to the transmitter automatically. To connect to another transmitter, turn the currently connected transmitter off, or press and hold the SonicLink button and perform pairing again.

Listening to music via SonicLink

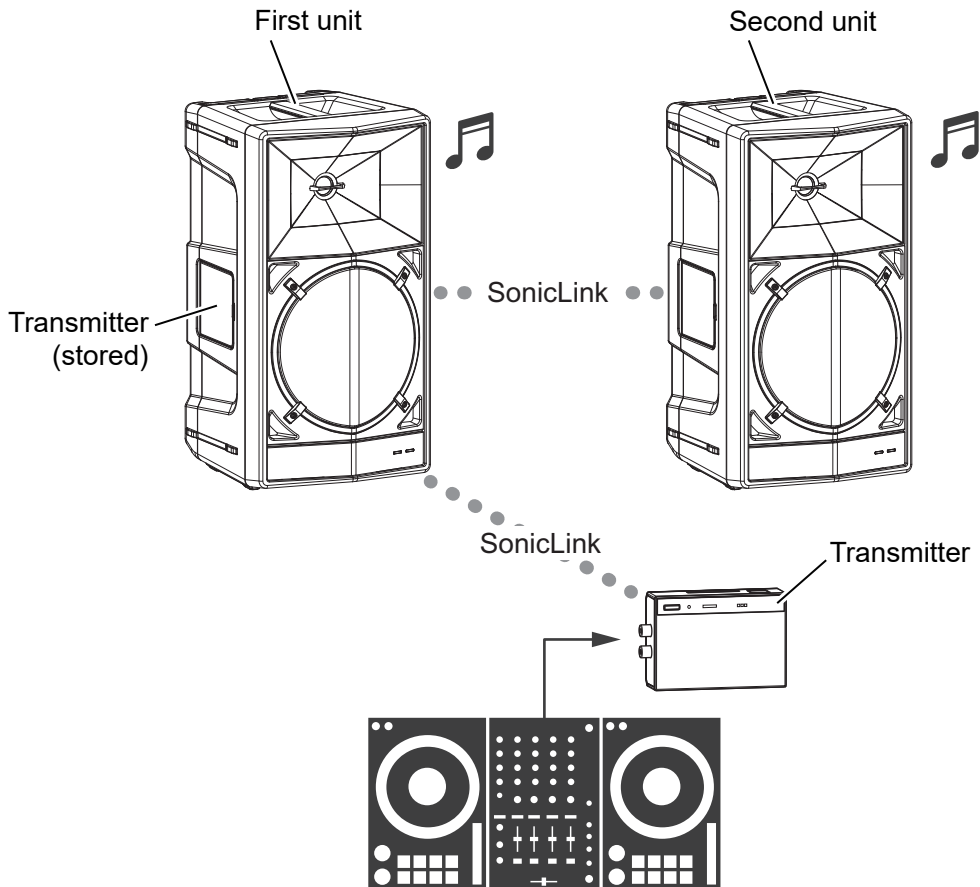
You can use this low-latency wireless function to listen to music.

- 1 Connect the transmitter to the speaker (page 16).**
- 2 Play some music on the DJ device connected to the transmitter.**
 - The sound plays from the speaker.

SonicLink daisy chain connection

Multiple units can be daisy-chained using SonicLink.

- **This function does not work with cables other than the supplied cable. Be sure to use the supplied cable.**

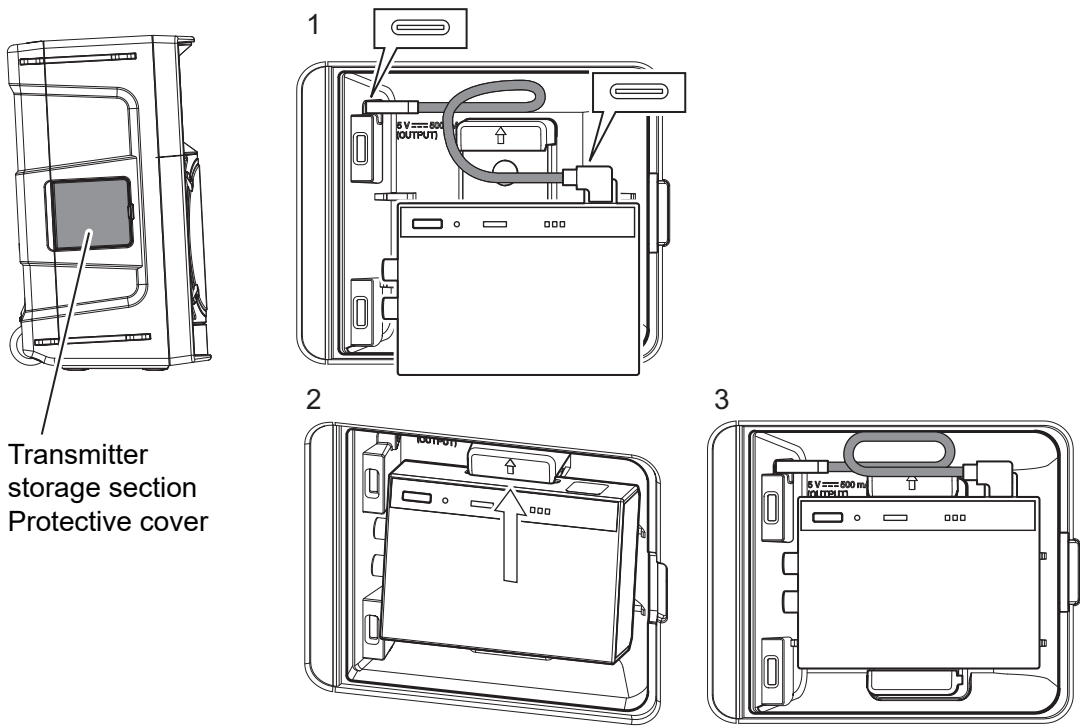


- 1 For each speaker except the last one you want to be daisy chained, connect the supplied cable to the transmitter and store it in the speaker body.**

How to store

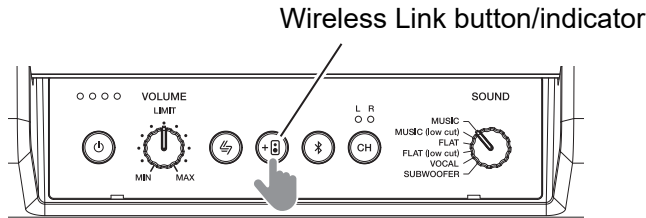
1. Connect the supplied USB cable to the storage USB terminal and the transmitter's USB terminal.
2. While pushing up the holder in the storage section, fit the upper and lower grooves of the transmitter with the upper and lower hooks of the holder.

3. Store the USB cable as shown in the illustration and close the protective cover.






- 2 Use a cable to connect the source device (e.g. a DJ controller) to the transmitter that you haven't stored in a speaker.
- 3 Press and hold the transmitter pairing button on the non-stored transmitter for approximately 5 seconds to enter Pairing mode.
- 4 Press and hold the SonicLink button on the first speaker for approximately 3 seconds and connect to the non-stored transmitter.
- 5 On the speaker that has connected to the transmitter, press and hold the Wireless Link button for 3 seconds.

- When the speaker enters the connection waiting state, the Wireless Link button blinks.



Wireless Link indicator display pattern

The lit/blinking pattern of the indicator indicates the status of the Wireless Link function.

Action	LED pattern
Connection waiting state	Blinks slowly  ...
Pairing mode	Double-blinks repeatedly  ...
Connection complete	Lights up  ...

6 Turn on the second speaker, press and hold the SonicLink button on the second speaker for approximately 3 seconds, and connect to the first speaker.

- The second speaker connects via the transmitter stored in the first speaker.
- When the connection completes, the Wireless Link indicator lights up.

Notes

- Repeat the same procedure to daisy chain up to 4 units.
- Latency is greater when using SonicLink daisy chain connections than when using a standalone speaker.

Connecting via Bluetooth

Preparations

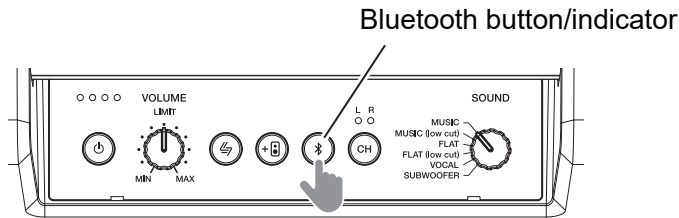
- Bring the Bluetooth device within approximately 1 m of the speaker.
- If necessary, read the user manual of the device you want to connect for instructions on how to use it.

Pair and connect with a Bluetooth device

1 Turn the speaker power on.



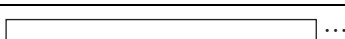
2 Press and hold the Bluetooth button for approximately 3 seconds.

- When the speaker enters Pairing mode, the indicator double blinks repeatedly.
- When the indicator blinks slowly, the speaker is in the connection waiting state. Press and hold the Bluetooth button for 3 seconds to switch to Pairing mode.
- When using a SonicLink connection, the SonicLink connection ends and the speaker switches to Bluetooth connection mode.



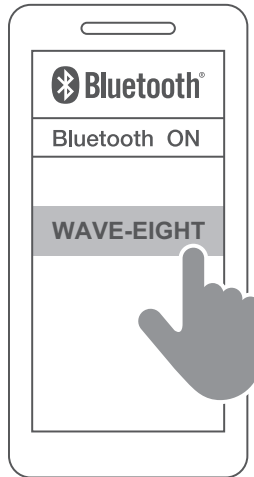
Bluetooth indicator display pattern

The lit/blinking pattern of the indicator indicates the status of the Bluetooth function.

Action	LED pattern
Connection waiting state	Blinks slowly 
Pairing mode	Double-blinks repeatedly 
Connection complete	Lights up 

3 Turn on the Bluetooth device and activate it.

4 From the Bluetooth menu on the Bluetooth device, select the device name [WAVE-EIGHT].



- In some cases, the MAC address “□□□□□□” appears before [WAVE-EIGHT] is displayed (“□” is a unique number displayed by the device).
- If a passkey entry is requested, enter the passkey “0000” (four zeros).
- For details, read the user manual of your Bluetooth device.

5 Check the connection with the Bluetooth device.

- The connection indicator LED blinks until pairing with the transmitter is complete.
- When pairing is complete, the connection indicator LED lights up.

Notes

- Bluetooth connections are not low-latency wireless connections. If you're concerned about latency times, use a SonicLink connection instead.
- After connection completes, sound may be output at very high volume the first time sound is played back. We recommend lowering the speaker volume before playback.
- When connection with a device does not complete within approximately 3 minutes, Pairing mode is canceled and the indicator turns off. If this happens, start the pairing again.
- Bluetooth devices that have already been paired can be connected using a connection procedure on the Bluetooth device if the speaker power is turned on and Bluetooth is activated.
- Some Bluetooth devices may not be able to connect to the speaker.
- To pair with another Bluetooth device, turn off the Bluetooth function on the currently connected Bluetooth device, or disconnect the device, then pair the other device.

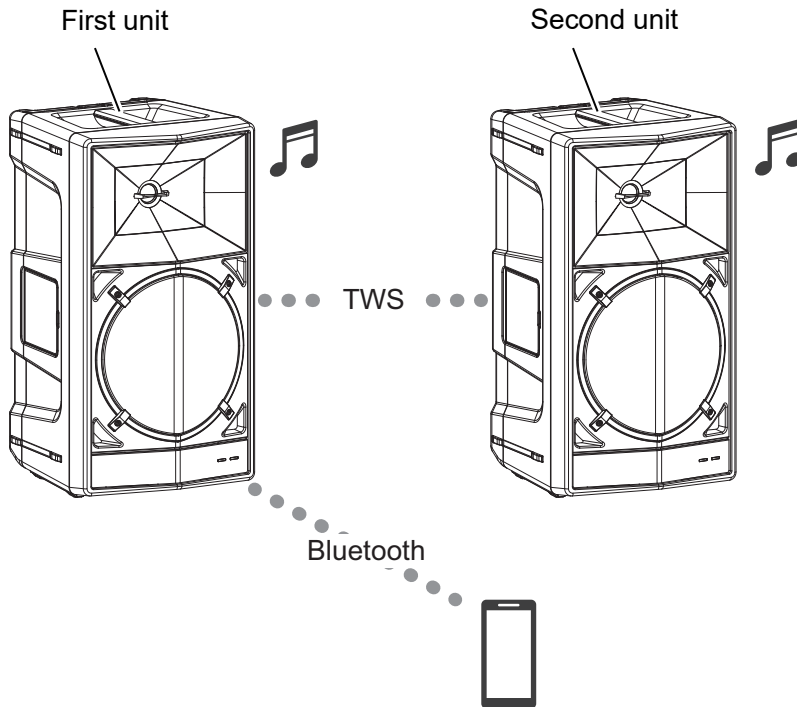
- This speaker can store pairing information for up to 8 devices. If the pairing button is pressed when the speaker is not connected with a Bluetooth device, the speaker will attempt to connect with the last Bluetooth device it was paired with.
- If the maximum number of devices are paired, the oldest device pairing will be overwritten every time you pair a new one. You'll need to pair those devices again if you want to use them.
- If the speaker is near to a Bluetooth device it was previously connected to, it may connect automatically when the Bluetooth button on the speaker is pressed. If you want to disconnect, please turn off the Bluetooth function or cancel the pairing on the connected device.

Listening to music via Bluetooth

- 1 Connect the Bluetooth device to the speaker (page 22).**
- 2 Choose the music or video you want to listen to from the Bluetooth device.**
 - The sound plays from the speaker.

TWS connection

The TWS connection allows two speakers to be connected.

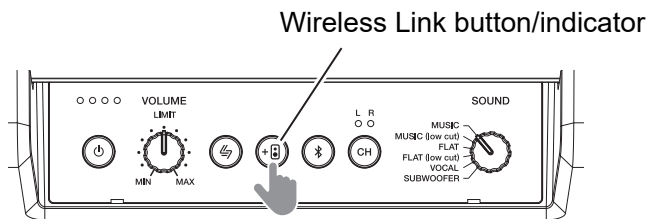


- 1 With Bluetooth activated (the Bluetooth indicator lit or blinking), press the Wireless Link button on each speaker for 1 second.**

When the speaker enters the TWS connection waiting state, the Wireless Link indicator blinks.


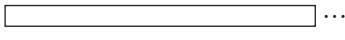
- 2 Check the connection.**

When connection of the second speaker completes, the Wireless Link indicator lights up.



Wireless Link indicator display pattern

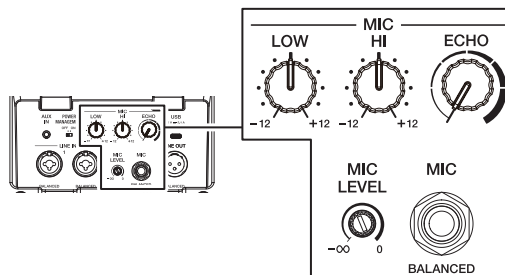
The lit/blinking pattern of the indicator indicates the status of the Wireless Link function.

Action	LED pattern
TWS connection waiting state	Blinks slowly 
Connection complete	Lights up 

Notes

- Check the speakers are placed within 1 m of each other.
- Configure the settings of the second speaker within 1 minute. If more than 1 minute elapses, the first speaker is released from the TWS connection waiting state.
- To cancel TWS connection, turn the speaker power off, or press and hold the Wireless Link button for at least 3 seconds.
- The sound from the channel selected with the channel selector is output from the speaker. When using stereo, configure the channel selector setting of each speaker.

Connecting a microphone



1 Connect an external microphone to the MIC terminal.

- The terminal is only compatible with phone plugs (1/4"/6.35 mm).
- When connecting or disconnecting a microphone, rotate the MIC LEVEL knob to the MIN (minimum) side before connecting/disconnecting.

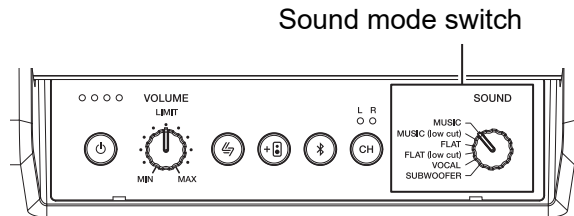
2 Adjust the volume with the MIC LEVEL knob.

3 Adjust the MIC EQ knobs (LOW, HI) and ECHO knob.

Other functions

Switching the sound mode

This speaker is equipped with 6 sound modes. You can use the sound mode switch to change the mode to suit your preference.



- **MUSIC:** Increases the presence of low frequencies for reproduction of powerful dance music in venues such as clubs. (Factory default setting)
- **MUSIC (low cut):** A mode that uses MUSIC style-sound when the speaker is used with a subwoofer.
- **FLAT:** A faithful reproduction of the input sound.
- **FLAT (low cut):** A mode that uses FLAT style-sound when the speaker is used with a subwoofer.
- **SPEECH:** Emphasizes the frequency band of vocals, making it easy to hear voices in lectures, etc.
- **SUBWOOFER:** Cut high frequencies and play as a subwoofer, combined with MUSIC (low cut) or FLAT (low cut).

Reset

If you find that you can't operate this product, you can reset it.

- 1 While the power is on, press and hold the Bluetooth button and SonicLink button at the same time for at least 5 seconds, then press the Power button.**

The Bluetooth and SonicLink buttons will blink for a few seconds and the power will turn off once the reset is complete.

- All previous operations will be reset. (Information on paired devices will also be deleted.)

Troubleshooting

If you think something is wrong with the unit, check the information below and refer to the [FAQ] for the WAVE-EIGHT at the URL below.

alphatheta.com/support/

- Inspect devices connected with the unit.
- The unit may work properly again after you turn it off and on.

If the problems continue, read the Precautions for Use and consult an authorized service company or your dealer.

Static electricity and other external factors may cause the speaker to stop operating normally. In such circumstances, the unit may work properly again after you turn it off and on.

General

❖ The speaker won't charge.

- Check that the power cable is correctly connected to the speaker and power outlet.

❖ The power doesn't turn on.

- Check that the power cable is correctly connected to the speaker and power outlet.
- The battery level of the built-in rechargeable battery may be low. Try charging the battery.

❖ The power turns off automatically.

- Press the power button to turn the power on.
- The power management function may have kicked in. The power turns off automatically if there is no input signal or operation for a certain length of time (approximately 20 minutes). See Page 29.

❖ **Sound from the connected device is not output, the volume is low, the audio cuts out, or the sound is noisy or distorted.**

- Check that the speaker and the connected device are both turned on.
- Check the volume settings on the speaker and the connected device.
- Check if the connected device is playing audio.
- Turn the [VOLUME] knob and adjust the volume.
- Check that the connection cable is connected correctly.
- Wipe off any dirt from the terminals and plugs before connecting.

When you want to use SonicLink

❖ **Can't connect via SonicLink, no sound is output, the volume is low, the audio cuts out, or the sound is noisy or distorted.**

- Check if SonicLink is activated (the SonicLink indicator is lit/blinking).
- If pairing with the transmitter wasn't performed correctly, turn off the power of the speaker and the transmitter, turn on the power of both devices again, and perform pairing again.
- If there is a device (such as a microwave oven, wireless LAN, or other transmitter) in the vicinity that emits electromagnetic waves in the 2.4 GHz frequency band, move it away from the speaker, or stop using that device.
- If the transmitter is far away from the speaker, bring it close to the speaker. If separated by a wall or other obstacle, bring the speaker and the connected transmitter closer together. Or change the positions of the transmitter and the speaker.

When you want to use Bluetooth

❖ **Can't connect via Bluetooth, no sound is output, the volume is low, the audio cuts out, or the sound is noisy or distorted.**

- Check that Bluetooth is activated (the Bluetooth indicator is lit/blinking).
- Check that the speaker and the paired device are both turned on.
- Check that the Bluetooth function on the paired device is turned on.
- If pairing with the Bluetooth device was not performed correctly, turn off the power of the speaker and the Bluetooth device, turn on the power of both devices again, and perform pairing again.
- If there is a device (such as a microwave oven, wireless LAN, or other Bluetooth device) in the vicinity that emits electromagnetic waves in the 2.4 GHz frequency band, move it away from the speaker, or stop using that device.
- If the Bluetooth device is far away from the speaker, bring it close to the speaker. If separated by a wall or other obstacle, bring the speaker and the connected Bluetooth device closer together. Or change the positions of the Bluetooth device and the speaker.
- Use an A2DP-compatible Bluetooth device.
- Check if the paired device is playing music. Stop all applications other than the music playback application on the Bluetooth device.

Specifications

General

Supported voltages

.....AC 110 V – 240 V, 50 Hz/60 Hz, built-in rechargeable lithium-ion battery

Power consumption 100 W

Playback time*¹ Approximately 8 hours

Charging time*² (+25°C (+77°F))

.....Approximately 4 hours (power off state), approximately 6 hours (power on state)

Power consumption during power off mode*³ 0.3 W

Recommended charging temperature range*⁴ +10°C – +35°C (+50°F – +95°F)

Allowable operating temperature +5°C – +35°C (+41°F – +95°F)

External dimensions (W × H × D) 300 × 554 × 337 mm (11.8" × 21.8" × 13.3")

Weight..... 12.7 kg (28.0 lbs)

*¹ Sometimes less depending on the conditions of use.

*² Time required to fully charge from an empty state. Charging time may vary depending on the conditions of use.

*³ When built-in battery full charged.

*⁴ It may take some time to start charging depending on usage conditions.

Speaker section

Type 2-way bass-reflex active speaker

Speaker configuration8" woofer + 1" soft dome tweeter

Amplifier section

Amplifier output 110 W

Input terminals XLR/TRS combo jack × 2, 1/4" TRS jack × 1,
3.5 mm stereo mini jack × 1

Output terminalXLR × 1

DC OUT 1 USB Type-C (5 V/Max. 2.1 A)

DC OUT 2 (for transmitter chain connection).....USB Type-C (5 V/Max. 500 mA)

Bluetooth

Transmission method.....	Bluetooth standard Ver. 5.1
Maximum transmission distance.....	Approximately 10 m* ⁵ in unobstructed circumstances
Frequency band used	2.4 GHz (2.4000 GHz – 2.4835 GHz)
Compatible Bluetooth profiles	A2DP, AVRCP
Compatible codecs	SBC, AAC

SonicLink

Maximum transmission distance.....	Approximately 15 m* ⁵ in unobstructed circumstances
Frequency band used	2.4 GHz (2.4000 GHz – 2.4835 GHz)

*⁵ Transmission distances are a guideline. Transmission distance may change depending on the surrounding environment.

*The specifications and design of this product are subject to change without notice.

Trademarks and registered trademarks

- The Bluetooth^{®/MD} word mark and logos are registered trademarks owned by Bluetooth SIG, Inc. and any use of such marks by AlphaTheta Corporation is under license. Other trademarks and trade names are those of their respective owners.
- Other product, technology and company names, etc. mentioned herein are trademarks or registered trademarks of their respective owners.

© 2023 AlphaTheta Corporation. All rights reserved.

<DRI1861-A>