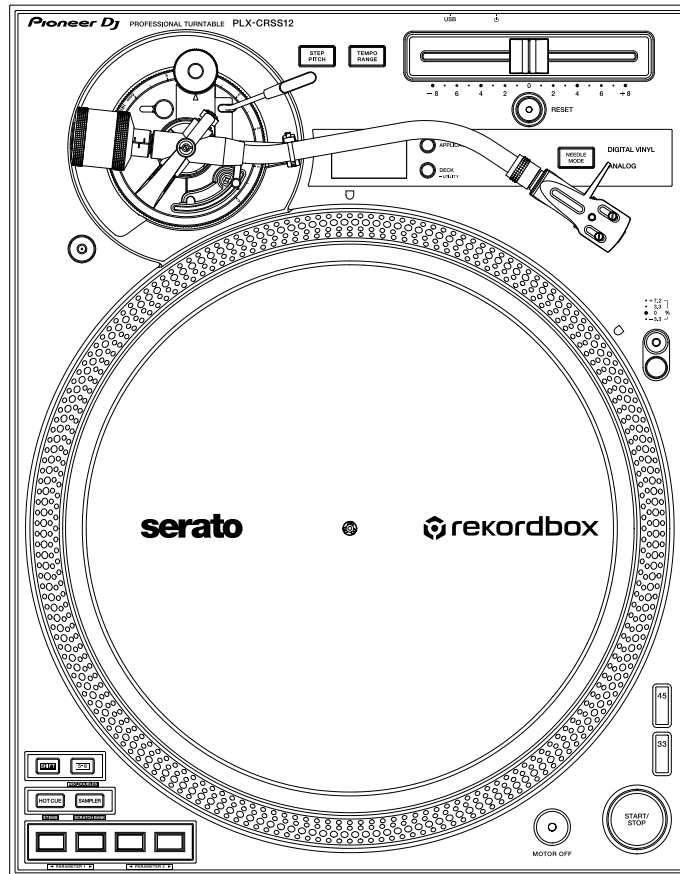


# Instruction Manual



Turntable

# PLX-CRSS12

[pioneerdj.com/support/](http://pioneerdj.com/support/)

[rekordbox.com](http://rekordbox.com)

[serato.com](http://serato.com)

For FAQ and other support information for this product, visit the websites above.

*Pioneer Dj*

**serato**

---

---

# Contents

<b>Before you start</b> .....	<b>4</b>
How to read this manual .....	4
What's in the box.....	5
User guides .....	6
<b>Setup</b> .....	<b>7</b>
Installing a cartridge to the headshell.....	7
Installation .....	8
<b>DJ software</b> .....	<b>13</b>
Serato DJ Pro.....	13
rekordbox .....	14
<b>Part names</b> .....	<b>15</b>
Top panel .....	15
Front panel .....	16
Rear panel.....	17
Side panel .....	18
OLED display .....	19
<b>Adjustment</b> .....	<b>20</b>
Tone arm section .....	20
Playing with the stylus.....	21
Using DVS without using the tone arm .....	28
<b>Connections (basic styles)</b> .....	<b>29</b>
Connecting a DJ mixer.....	29
Installation location.....	30
<b>Playback</b> .....	<b>31</b>
Play section.....	31
Playing an analog record .....	33

Using DVS without using the tone arm .....	38
<b>Using the Performance Pads .....</b>	<b>39</b>
Performance Pad section .....	39
Serato DJ Pro .....	41
rekordbox .....	49
<b>Settings .....</b>	<b>58</b>
Changing the settings .....	58
Utility settings .....	59
<b>Using DJ software (MIDI) .....</b>	<b>60</b>
<b>Specifications .....</b>	<b>61</b>
<b>Additional information .....</b>	<b>63</b>
Troubleshooting .....	63
Cautions on use .....	65
Cleaning .....	66
Trademarks and registered trademarks .....	67
Software license notice .....	68
Cautions on copyrights .....	69

---

---

# Before you start

---

---

## How to read this manual

- Thank you for choosing this Pioneer DJ product.  
Be sure to read this manual, the Quick Start Guide and the Precautions for Use which are also included with this product. These documents include important information that you should understand before using the unit.
- In this manual the names of buttons, knobs and terminals that appear on the product, and the names of buttons, menus etc. in the software on your PC/Mac or mobile device, are indicated within square brackets ([ ]). (e.g. **[File]**, **[CUE]** button)
- Please note that the software screens and their specifications, as well as the external appearance and specifications of the hardware, are subject to change without notice.
- Please note that depending on the operating system version, web browser settings, etc. operation may differ from the ways described in this manual.
- Please note that the language on the screens of the software described in this manual may differ from the language on your screen.

---

## What's in the box

- Platter
- Screws for platter x 6
- Screwdriver
- Magvel Clamp
- Slip mat
- Slip sheet
- Dust cover
- Balance weight
- Sub weight
- Headshell
- Shell weight
- Power cord
- Audio cable (with ground wire)
- USB cable
- Quick Start Guide
- Warranty (for some regions)<sup>\*1</sup>
- Precautions for Use

\*1 Only products in Europe.

Products in North America and Japan include warranty information in the Precautions for Use.



**WARNING**

Keep small parts out of the reach of children. If a part is swallowed, immediately consult a doctor.



**WARNING**

### **Magvel Clamp**

- The Magvel Clamp of this product has a magnet inside.
- Keep the Magvel Clamp away from people wearing medical devices. It may lead to failure or malfunction of devices such as cardiac pacemakers.



**CAUTION**

### **Magvel Clamp**

- The Magvel Clamp of this product has a magnet inside.
- Keep magnetic products (watches, magnetic cards, precision instruments, etc.) away from the Magvel Clamp, or it may lead to malfunction.

## User guides

### ❖ Serato DJ Pro software manual

Refer to the following Serato DJ site.

[serato.com/dj/pro/downloads](https://serato.com/dj/pro/downloads)

### ❖ rekordbox Introduction, Instruction Manual

Refer to the rekordbox Introduction to find out how to set up rekordbox, and see the Instruction Manual to find out how to use rekordbox.

Visit the URL below to find these user guides.

[rekordbox.com/manual](https://rekordbox.com/manual)

---

---

# Setup

---

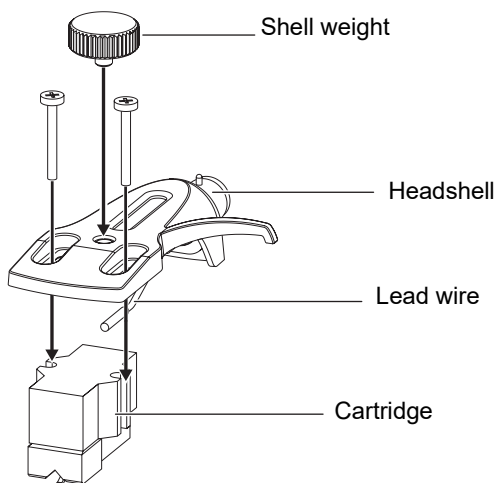
---

## Installing a cartridge to the headshell

A cartridge isn't included with the unit.

- For details on a cartridge, refer to its user guide.

- 1 Firmly connect the color-coded lead wire of the headshell to the corresponding terminal on the cartridge using tweezers, etc.**



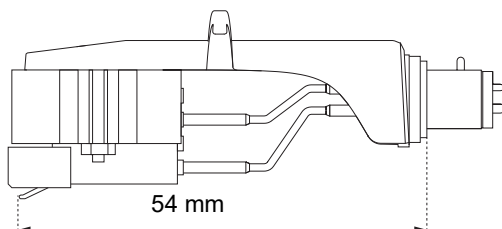
- If the cartridge is too light to balance horizontally, use the shell weight included with the unit.

---

---

## Adjusting the overhang

Adjust the position with a cartridge mounting screw so the stylus tip is positioned 54 mm from the tone arm attachment part.



---

# Installation

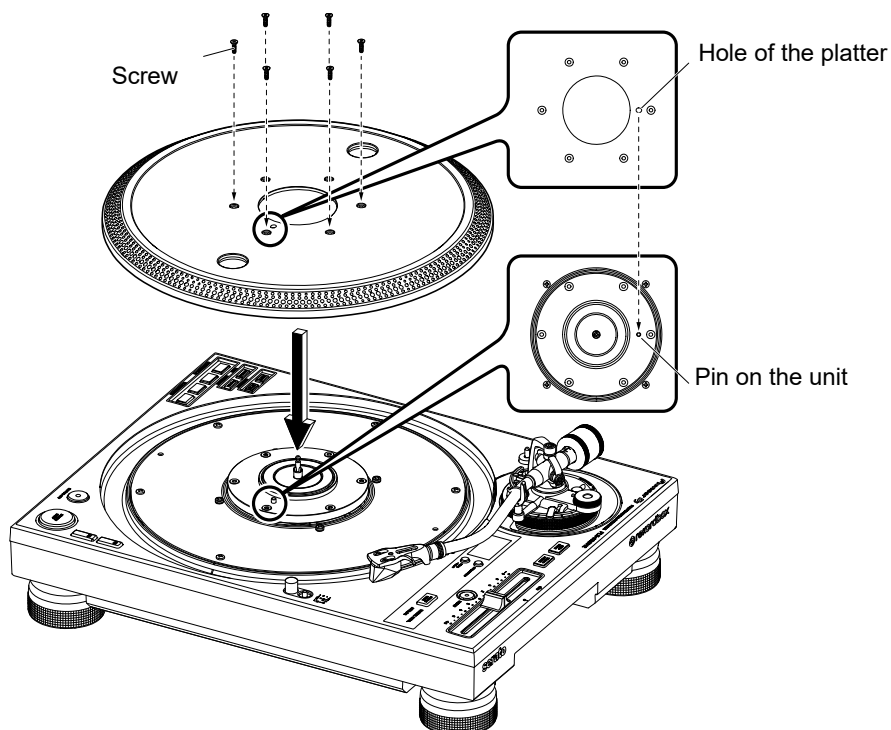
---

---

## Installing the platter

- Do not hit the platter against the main unit or drop it.
- Do not put anything in the center of the unit.
- Make sure that no dust or iron powder adheres between the back of the platter and the unit.

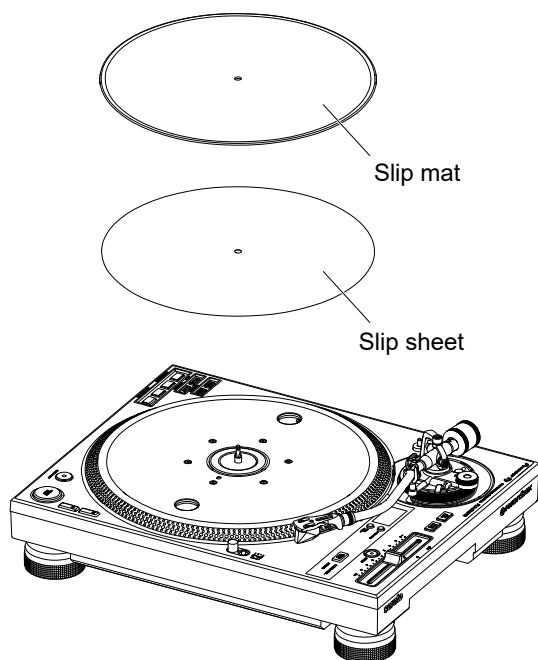
**1 Align the center hole of the platter with the center circle on the unit, and fit the pin on the unit into the hole of the platter.**



**2 Firmly tighten 6 screws to fix the platter to the unit.**



**3 Install the slip mat and slip sheet.**

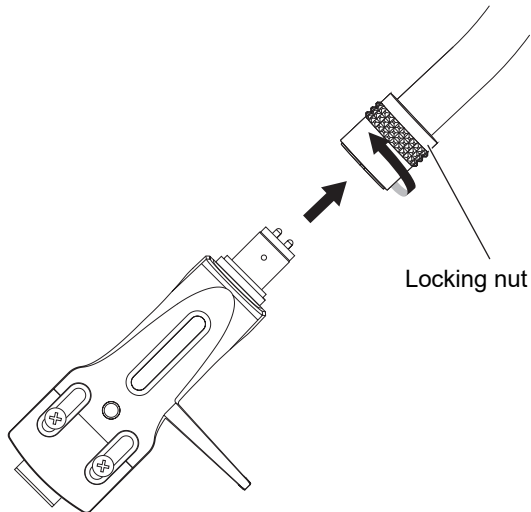


---

## Playing using the stylus

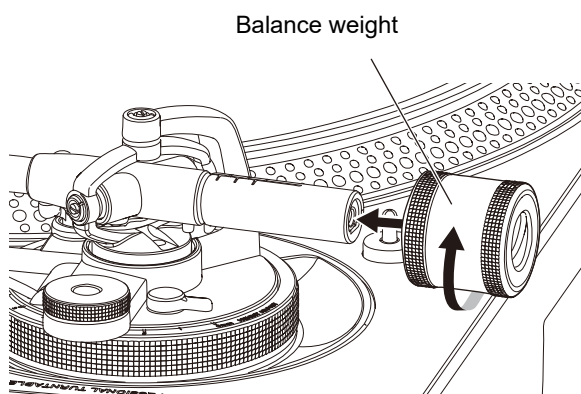
- Install the headshell to the cartridge beforehand (page 7).

### 1 Insert the headshell with the cartridge installed into the tone arm.

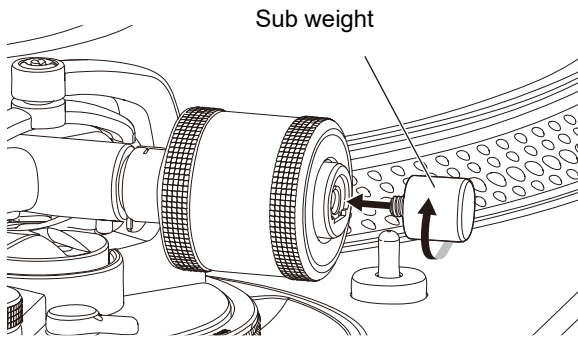


### 2 Keeping the headshell horizontal, tighten the locking nut.

### 3 Install the balance weight to the rear shaft of the tone arm.



- If the cartridge is too heavy to balance horizontally, attach the sub weight to the rear shaft of the tone arm.



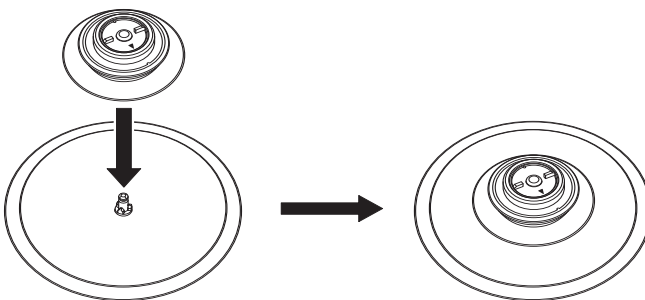
## Using DVS without using the tone arm

Install the Magvel Clamp to the unit to use DVS without using a tone arm. By installing the Magvel Clamp, you can adjust the rotation torque of the control disk.

- You can use any 12-inch vinyl record as a control disk.
- Since the Magvel Clamp contacts closely with the control disk, be sure to keep dust, metal objects, iron powder, etc. from adhering to the back of the Magvel Clamp.

### 1 Set a control disk on the turntable.

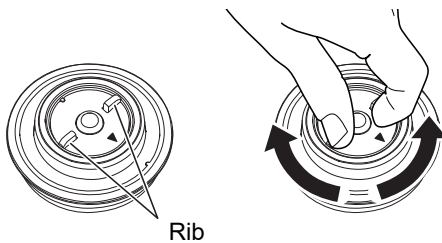
### 2 Install the Magvel Clamp to the spindle.



- Firmly press the top of the Magvel Clamp from above. If it's not firmly pressed in, it may affect the performance of the HEAVY setting.

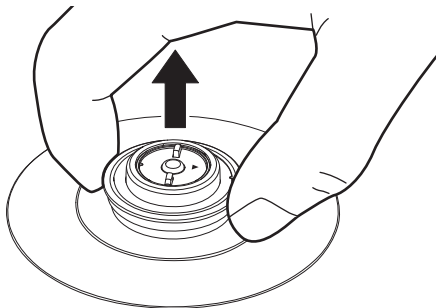
### ❖ Adjusting the rotation torque

- 1 Put your fingers on the ribs on the top of the Magvel Clamp and turn it to adjust the ▲ marker between [LIGHT] and [HEAVY].



### ❖ Removing the Magvel Clamp

- 1 Pinch the Magvel Clamp with your fingers as shown and pull it upwards to remove it.



---

---

# DJ software

---

---

## Serato DJ Pro

---

---

Serato DJ Pro is DJ software from Serato.

The Serato DJ Pro software isn't included with the unit. Download the software from the URL below.

[serato.com/dj/pro/downloads](https://www.serato.com/dj/pro/downloads)

- Use the unit with Serato DJ Pro hardware. You may need to purchase a separate license depending on the hardware. For more information, visit the URL below.

[serato.com/dj/hardware](https://www.serato.com/dj/hardware)

- For information on the latest system requirements, compatibility, and supported operating systems, visit the URL below.

[serato.com/dj/pro/downloads](https://www.serato.com/dj/pro/downloads)

- Operation isn't guaranteed on all PC/Mac models, even if the system requirements are met.
- Depending on power-saving settings and other conditions of your PC/Mac, the CPU and hard disk may not provide sufficient processing capabilities. For laptops in particular, make sure the PC/Mac is in the best condition to provide constant high-level performance when using Serato DJ Pro (for example by keeping the AC power connected).

---

## rekordbox

rekordbox is a complete DJ application you can use to manage your music and perform.

- This unit is a Hardware Unlock device. If you connect a PC/Mac running rekordbox to the unit, you can use Performance mode (rekordbox DJ functions) for free.
- For information on functions supported by Hardware Unlock, access **[Support]** → **[Hardware Unlock]** from the URL below.  
[rekordbox.com](http://rekordbox.com)
- The rekordbox software isn't included with the unit. Download the software from the URL below.  
[rekordbox.com](http://rekordbox.com)
- For information on the latest system requirements, compatibility, and supported operating systems, access **[Support]** → **[System Requirements]** from the URL below.  
[rekordbox.com](http://rekordbox.com)
- To use the internet, a separate contract with, and payment to, a provider is required.
- Operation isn't guaranteed on all PC/Mac models, even if the system requirements are met.
- Depending on power-saving settings and other conditions of your PC/Mac, the CPU and hard disk may not provide sufficient processing capabilities. For laptops in particular, make sure the PC/Mac is in the best condition to provide constant high-level performance when using rekordbox (for example by keeping the AC power connected).

---

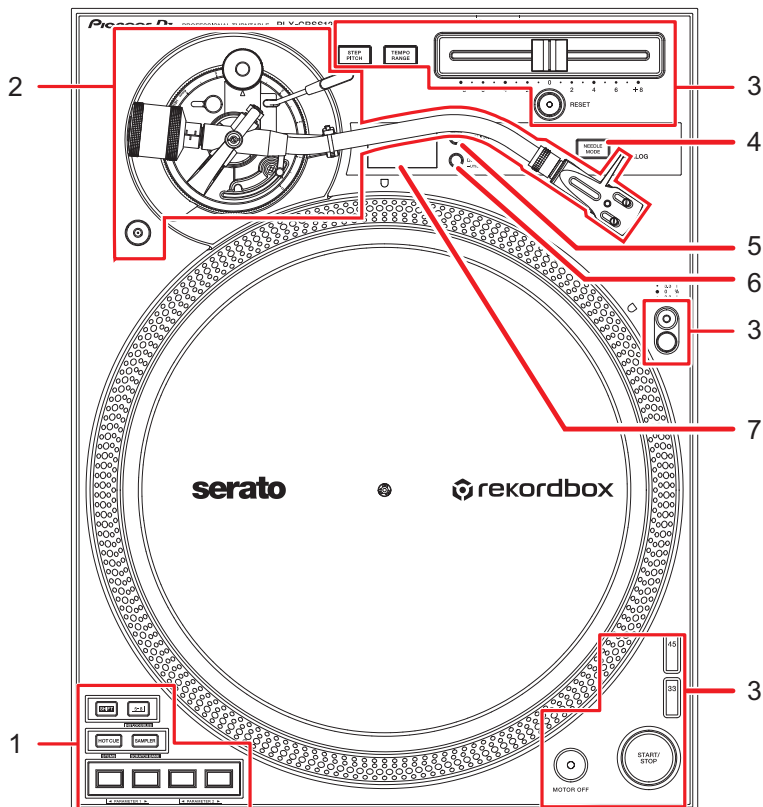
---

# Part names

---

---

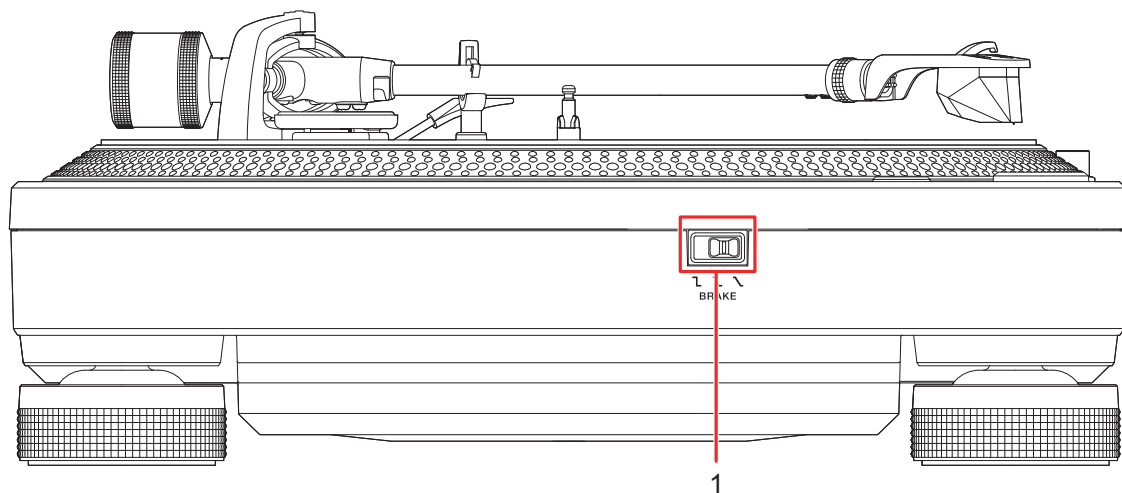
## Top panel



1. **Performance Pad section** (page 39)
2. **Tone arm section** (page 20)
3. **Play section** (page 31)
4. **NEEDLE MODE button** (page 31)  
Switches between Analog mode and Digital Vinyl mode.
5. **APPLICATION button** (page 31)
6. **DECK/UTILITY button**  
Selects a deck to use with the Performance Pads when using DJ software.
  - Press and hold to display the Utility settings (page 58).
7. **OLED display** (page 19)






---

## Front panel



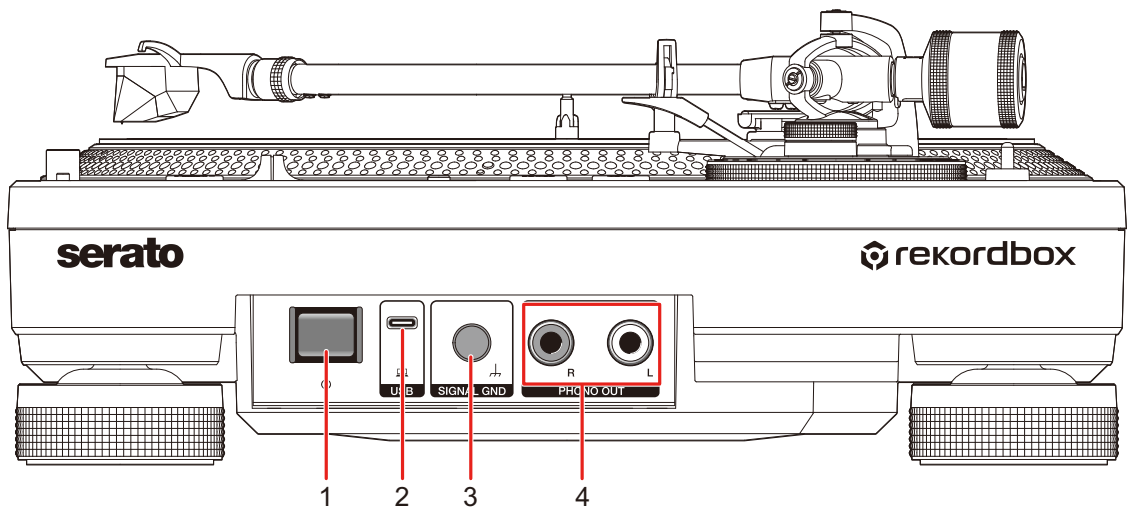
### 1. Brake adjusting switch

Sets the amount of time it takes the turntable to stop after you press the [START/STOP] button.

- : The turntable stops quickly.
- : Intermediate setting between  and .
- : The turntable stops gradually.



## Rear panel



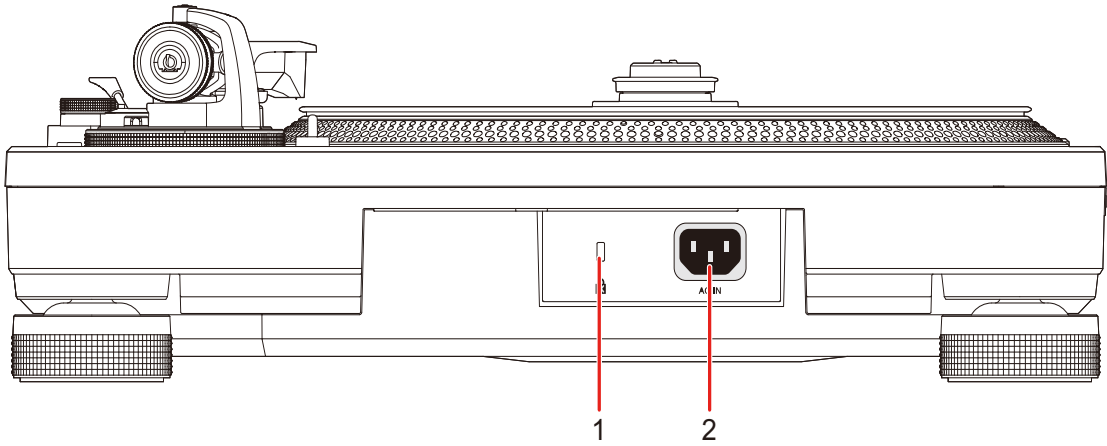
1. **⏻ button**  
Turns the unit on and off.
2. **USB port**  
Connect a DJ mixer or PC/Mac when using the Performance Pads with DJ software.
3. **SIGNAL GND terminal**  
Connect a turntable's ground wire.

The signal GND terminal reduces unwanted noises that occur when an amplifier or a DJ mixer is connected to the unit.

4. **PHONO OUT terminals**  
Connect the supplied audio cable (with ground wire).

---

## Side panel



### 1. Kensington security slot

Connect a cable lock.

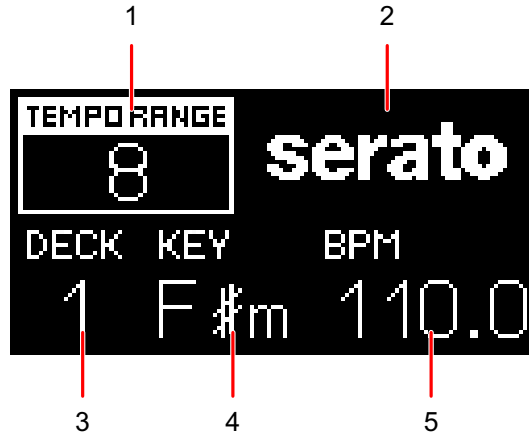
### 2. AC IN

Connect to a power outlet with the supplied power cord.

- Use the supplied power cord.
- Connect the power cord after all the connections are complete.

## OLED display

Settings, the deck number of the DJ software, BPM, and key information are displayed on the OLED display.



### 1. **Playback speed adjustment range** (page 34)

When the Step Pitch isn't turned on, the adjustable tempo range from the original playback speed is displayed.

When the Step Pitch is turned on, the key adjusted by the Tempo slider is displayed.

- The displayed key isn't the current key but a rough estimate.

### 2. **Application**

Displays the name of the DJ software used in Digital Vinyl mode.

### 3. **Deck number**

Displays the number of the deck that the unit's Performance Pads are assigned to.

- The deck number is displayed when you press the [DECK/UTILITY] button or when a PC/Mac is connected to the unit via USB.

### 4. **Key**

Displays the current key of the track.

- The key is displayed only when a PC/Mac is connected to the unit via USB.

### 5. **BPM**

Displays BPM (beats per minute, i.e. tempo) for the track.

- BPM is displayed only when a PC/Mac is connected to the unit via USB.

---

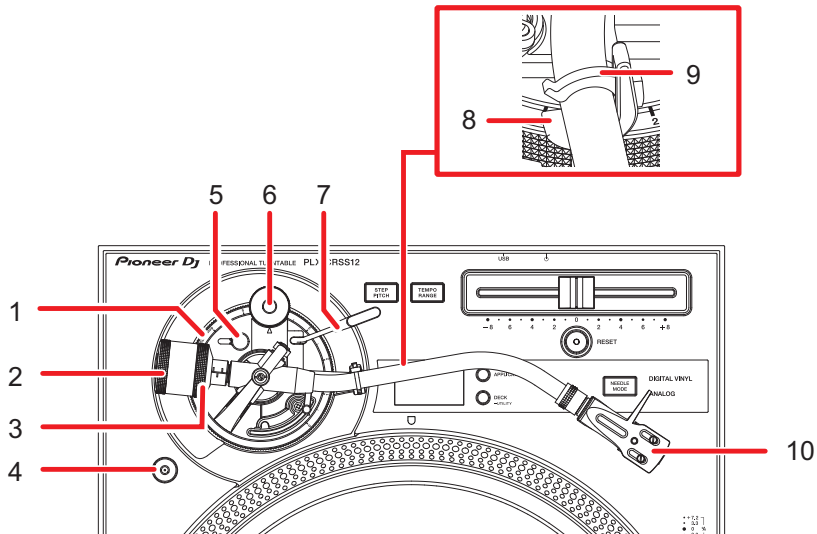
---

# Adjustment

---

---

## Tone arm section



- 1. Height adjustment dial**  
Adjusts the height of the tone arm.
- 2. Balance weight**  
Adjusts the balance of the tone arm and the stylus pressure.
- 3. Stylus pressure adjustment ring**  
Use this to set the stylus pressure to the appropriate value for the cartridge.
- 4. Magvel Clamp storage**  
Attach the Magvel Clamp here when you're not using it.
- 5. Height adjustment lock**  
Locks the height of the tone arm.
- 6. Anti skating dial**  
Counteracts the force that pulls the stylus tip inward during record playback when it's set to the same value as the stylus pressure.
- 7. Lifter lever**  
Raises and lowers the tone arm.

8. **Arm rest**  
Rest the tone arm here.
9. **Arm clamper**  
Clamps the tone arm in place.
10. **Headshell**  
Use the headshell with a cartridge attached.

---

---

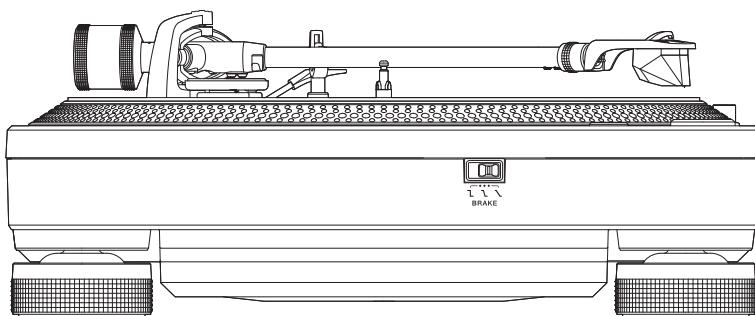
## Playing with the stylus

---

### Adjusting the balance of the tone arm

Since the weight of a cartridge or headshell varies, you'll need to adjust the balance of the tone arm.

- 1 **Taking care not to touch the stylus tip, remove the stylus cover and arm clamper.**
- 2 **Lower the lifter lever.**
- 3 **Set the anti skating dial to [0].**
- 4 **Raise the tone arm from the arm rest, and turn the balance weight until the tone arm is balancing in a level position.**



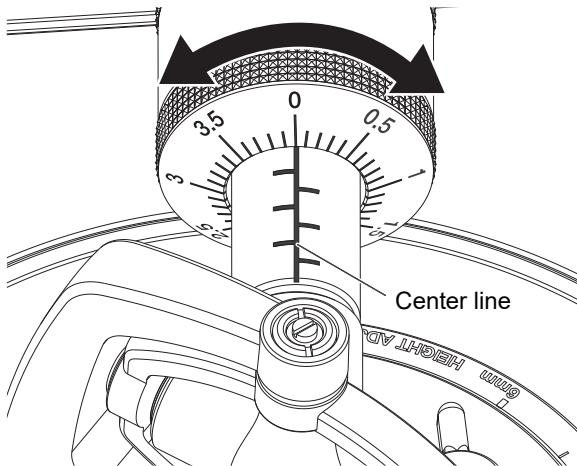
- When moving the tone arm, take care not to let the stylus tip touch the turntable.

---

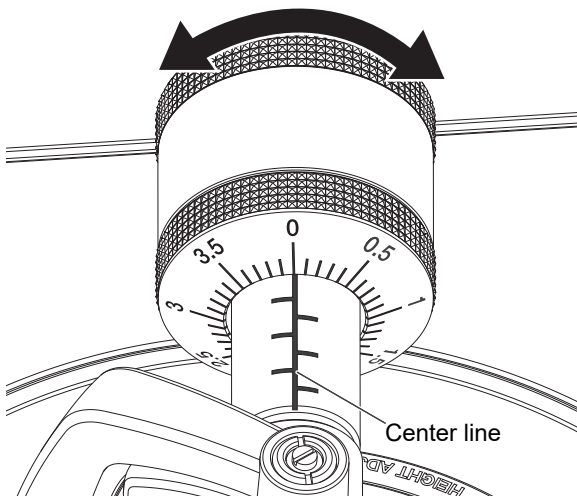
## Adjusting the stylus pressure

Adjust to the appropriate stylus pressure for your cartridge to prevent stylus skipping and sound distortion.

- 1 Place the tone arm on the arm rest and lock it with the arm clamper.**
- 2 Holding the balance weight so that it doesn't move, turn the stylus pressure adjustment ring to align [0] on the ring with the center line on the rear shaft of the tone arm.**



- 3 Turn the balance weight and set to the appropriate stylus pressure for the cartridge.**

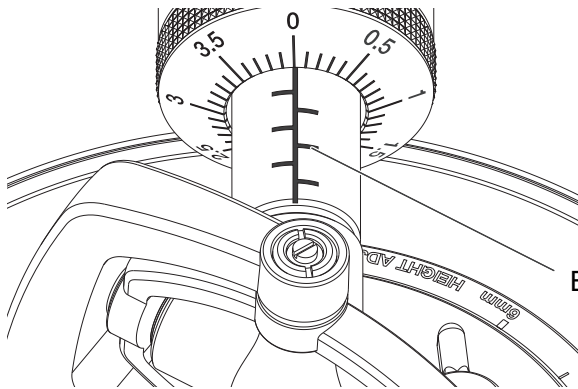


- The stylus pressure adjustment ring turns together with the balance weight. Adjust to the appropriate stylus pressure while looking at the adjustment ring.

## ❖ Using the balance weight attachment scale

If you memorize the balance weight attachment scale value for the headshell with a cartridge, you can set the appropriate stylus pressure without adjusting the balance of the tone arm each time.

- 1 Install the headshell with a cartridge to the tone arm.**
- 2 Set to the balance weight attachment scale value for the headshell with a cartridge.**



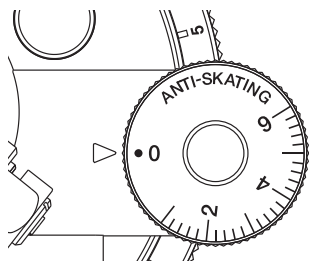
Balance weight attachment scale

---

## Adjusting the anti skating

Adjust the anti skating to prevent the stylus skipping.

- 1 Turn the anti skating dial to set the stylus pressure value of the cartridge to the reference mark.**



- Adjust the setting according to the operation during scratch play to prevent the stylus skipping.

---

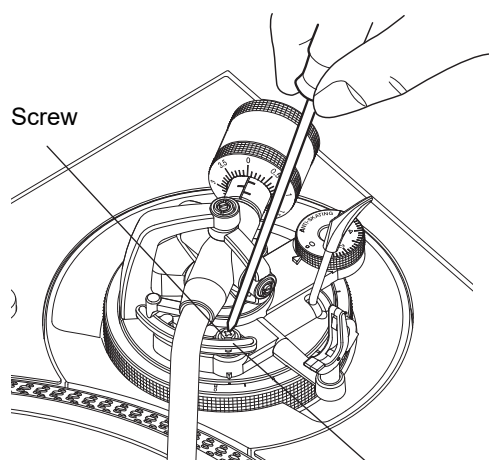
## Adjusting the height of the arm lifter

Adjust the height of the arm lifter as necessary according to the size of the cartridge.

- 1 Set a record on the turntable.**
- 2 Taking care not to touch the stylus tip, remove the stylus cover and arm clamper.**
- 3 Raise the lifter lever and move the tone arm over the record.**



## 4 With the arm lifter lowered, adjust the height by turning the screw.



Arm lifter

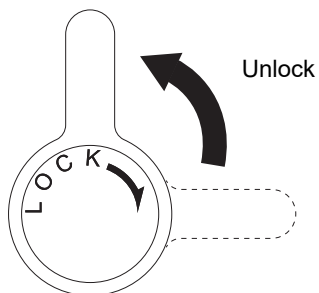
\* Turn the screw while pressing down here.

- Turn clockwise to reduce the space between the record and the stylus tip.
- Turn counterclockwise to increase the space between the record and the stylus tip.

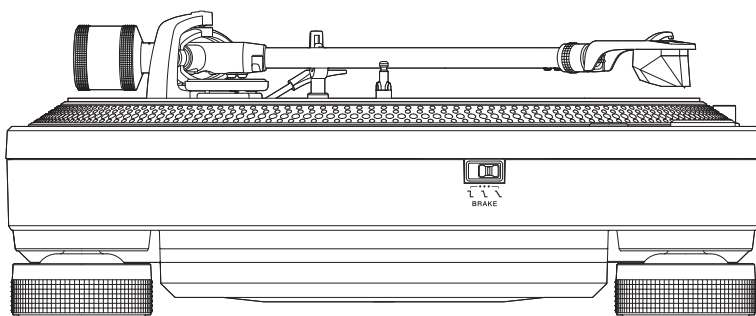
---

## Adjusting the height of the arm

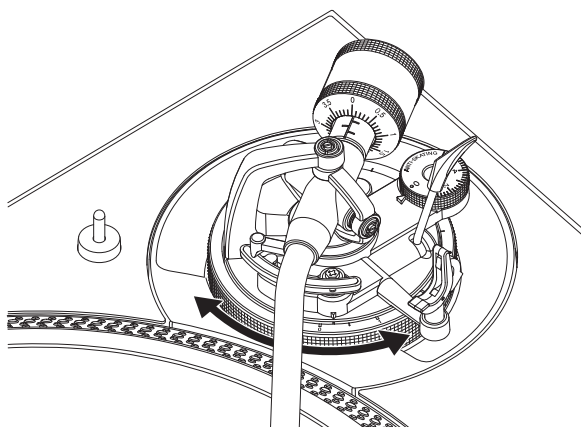
- 1 Turn the height adjustment lock to unlock it.

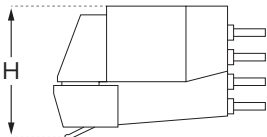


- 2 Lower the lifter lever to put the stylus tip on the record, and turn the height adjustment dial until the tone arm is level compared to the record.



- Refer to the table below and adjust the height adjustment dial according to the size of the cartridge.



	Size of cartridge H (mm)	Scale of the height adjustment dial
	19	0
	20	1
	21	2
	22	3
	23	4
	24	5
	25	6

### 3 Turn the height adjustment lock to lock the height of the arm.

- Adjust the height of the arm with the height adjustment dial according to the operation during scratch play to prevent the stylus skipping.

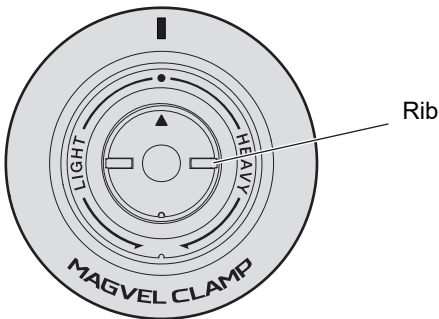
## Using DVS without using the tone arm

### Adjusting the Magvel Clamp

Install the Magvel Clamp to the unit when using DVS without using the tone arm (page 11).

#### 1 Put your fingers on the ribs on the top of the Magvel Clamp and adjust the rotation torque.

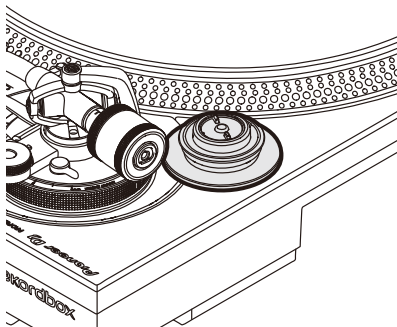
➡ Adjusting the rotation torque (page 12)



- Turn clockwise (to the [HEAVY] side) to increase the rotation torque of the control disk.
- Turn counterclockwise (to the [LIGHT] side) to decrease the rotation torque of the control disk.

#### ❖ Storing the Magvel Clamp

Attach the Magvel Clamp to the Magvel Clamp catch for storage as shown below.



---

---

# Connections (basic styles)

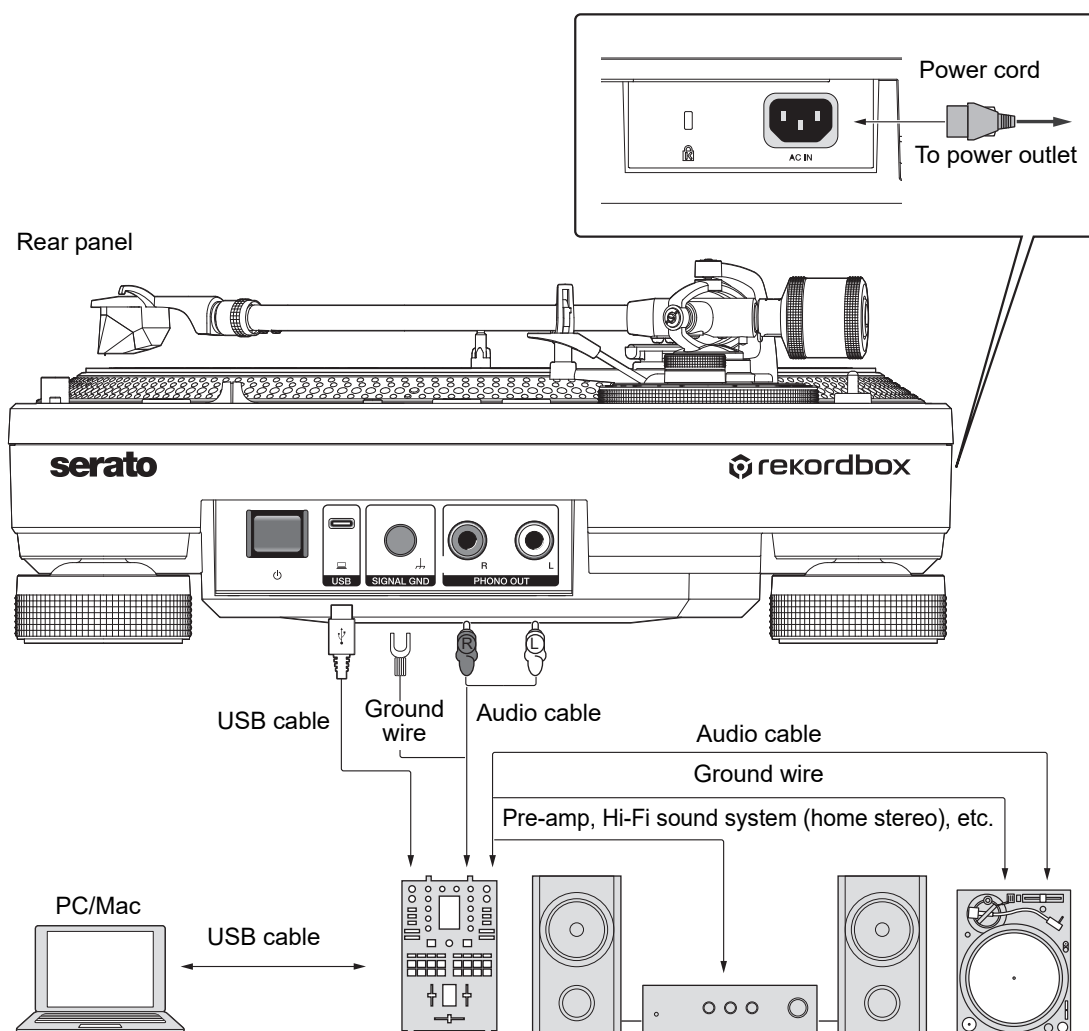
Put the unit in Off mode (■) and disconnect the power cord before connecting other units. Connect the power cord after all connections are complete.

- Use the supplied power cord.
- Read the instruction manuals for the devices you are going to connect with the unit.
- Connect a DJ mixer or PC/Mac to the unit with the supplied USB cable or a USB 2.0 compliant cable.

---

---

## Connecting a DJ mixer



# Connections (basic styles)

- Connect the audio cable and ground wire to the PHONO input terminals on the DJ mixer. You can't get sufficient volume and sound quality when connecting to a DJ mixer that doesn't have PHONO input terminals.
- Be sure to connect the ground wire, or you'll hear power supply hum.
- If the DJ mixer doesn't have a USB hub function (no USB A port), connect the unit directly to the PC/Mac using a USB cable.

---

---

## Installation location

Install the unit on a flat surface that isn't subject to external vibrations.

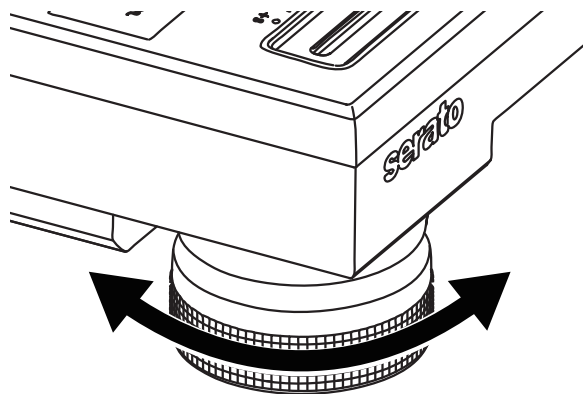
- Place the unit as far away from the speaker system as possible.
- If a radio (FM/AM broadcast) is placed too close to the unit, unwanted noise may be heard on the radio. Keep it as far away from the unit as possible.

---

---

## Adjusting the height of the unit

- 1 Turn the insulators to adjust the height of the unit so that it's level.**



---

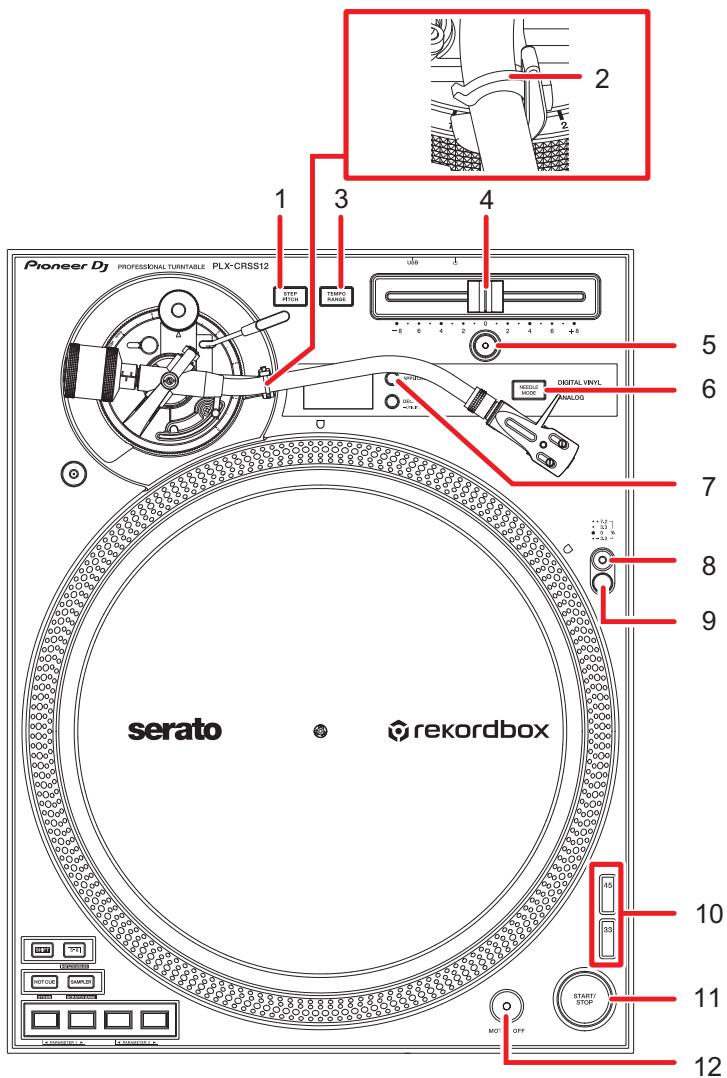
---

# Playback

---

---

## Play section



1. **STEP PITCH button**

Changes the adjustment method for the speed of the turntable rotation by the operation of the tempo slider.

2. **Arm clammer** (page 20)

### 3. **TEMPO RANGE button**

Changes the variable range of the tempo slider in the order of  $\pm 8\%$  →  $\pm 16\%$  →  $\pm 50\%$  →  $\pm 8\%$ ... each time you press the button.

### 4. **Tempo slider**

Adjusts the speed of the turntable rotation.

### 5. **RESET button/RESET indicator**

Resets to the standard rpm (33 1/3 or 45 rpm) regardless of the tempo slider's setting. The **[RESET]** indicator lights up when the **[RESET]** button is turned on.

### 6. **NEEDLE MODE button**

Switches between Analog mode and Digital Vinyl mode.

### 7. **APPLICATION button**

Selects the DJ software to use in Digital Vinyl mode.

### 8. **Target illuminator switch**

Lights up the target illuminator and rises it to the position where it illuminates the stylus tip and strobe stripes.

### 9. **Target illuminator**

The strobe illuminator lights up in blue.

The stylus illuminator lights up in white and illuminates the stylus tip.

### 10. **Speed change button**

Sets the rotation speed.

- Press the **[33]** button for a 33 1/3 rpm record.
- Press the **[45]** button for a 45 rpm record.

### 11. **START/STOP button**

Starts or stops the rotation of the turntable.

### 12. **MOTOR OFF button**

Turns the motor off. The rotation of the turntable naturally stops.

- If you press the **[START/STOP]** button when the motor is off, the rotation of the turntable will start.



---

## Playing an analog record

---

---

### Playback

- A 45 RPM record adapter isn't included with the unit.
- With a slip mat, you can manually stop or reverse playback of a record (page 8). Use a slip sheet under a slip mat for a smoother slide.

**1 Press the [NEEDLE MODE] button to switch to Analog mode.**

**2 Taking care not to touch the stylus tip, remove the stylus cover and arm clumper.**

**3 Set a record on the turntable.**

**4 Press the [START/STOP] button.**

The turntable starts rotating.

**5 Press the [RESET] button.**

The [RESET] indicator lights up in white and the rotation speed returns to the standard rpm (33 1/3 or 45 rpm).

**6 Raise the lifter lever and move the tone arm over the record.**

**7 Lower the lift lever.**

The tone arm lowers and playback starts.

- Press the target illuminator switch to light up the stylus illuminator in white and raise it to the position where it illuminates the stylus tip. Lower the target illuminator to turn it off.
- To pause playback, raise the lifter lever (the stylus tip moves away from the record). To resume playback, lower the lifter lever.

---

## Adjusting the rotation speed

**1 Press the [RESET] button to turn the [RESET] indicator off.**

**2 Move the tempo slider left or right.**

- Move the slider right to increase the rotation speed.
- Move the slider left to decrease the rotation speed.
- The tempo slider scale is approximate. Use it as a reference.

**3 Press the [TEMPO RANGE] button.**

The variable range of the tempo slider changes each time you press the [TEMPO RANGE] button and the corresponding range indicator lights up.

Setting	Adjustment unit
±8	0.016 %
±16	0.032 %
±50	0.1 %

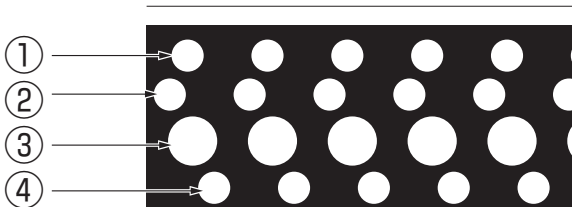
- Press the [RESET] button again to return the speed to the original. The [RESET] indicator turns on. When the [RESET] indicator is lit, the standard rpm (33 1/3 or 45 rpm) is set regardless of the tempo slider's setting.

---

## Checking the rotation speed

You can check speed accurately with the 4 rows of strobe patterns on the outer ring of the turntable.

### Strobe patterns



1. +7.2% change when the strobe pattern appears to stop
2. +3.3% change when the strobe pattern appears to stop
3. Standard rpm ( $33 \frac{1}{3}$  or 45 rpm) when the strobe pattern appears to stop
4. -3.3% change when the strobe pattern appears to stop

### 1 Press the target illuminator switch.

The strobe illuminator lights up in blue and rises to the position where it illuminates the strobe patterns.

- Use a strobe illuminator (blue LED lighting) for illuminating the strobe patterns on the unit. Always turn on the strobe illuminator when you check the speed.
- Lower the target illuminator (it turns off) when you're not using the strobe illuminator.

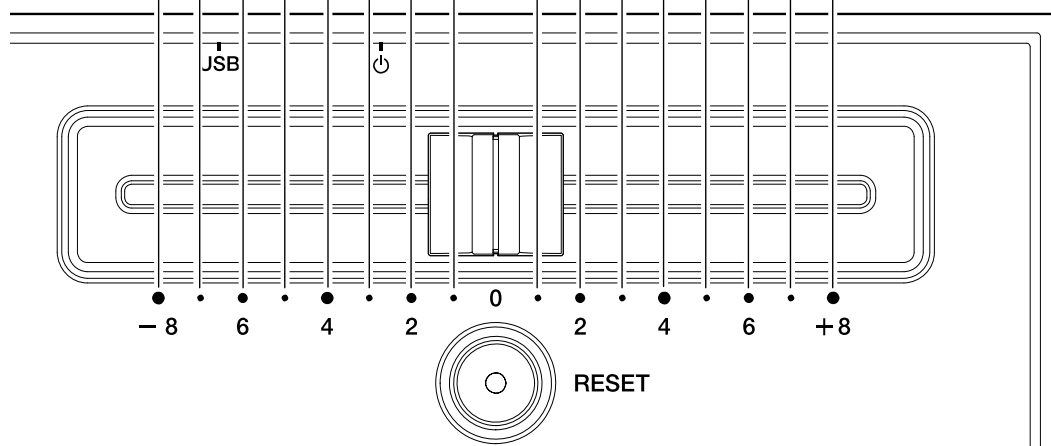
## Changing the adjustment method for the rotation speed

Use the [STEP PITCH] button to change the adjustment method for the rotation speed by the tempo slider.

When the [STEP PITCH] button is turned off, rotation speed changes continuously.

When the [STEP PITCH] button is turned on, rotation speed changes in semitone steps.

Display	D4	D#4	E4	F4	F#4	G4	G#4	A4	A#4	B4	C5	C#5	D5	D#5	E5
Rotation speed (%)	-33.2	-29.3	-25.0	-20.7	-15.9	-10.9	-5.7	0.0	5.9	12.2	18.9	26.0	33.5	41.4	49.8



---

## Stopping playback

### 1 Raise the lifter lever.

The stylus tip moves away from the record.

### 2 Put the tone arm back on the arm rest.

### 3 Lower the lifter lever and lock it with the arm clamper.

### 4 Press the [START/STOP] button.

The rotation of the turntable stops.

- You can also stop the rotation by pressing the [MOTOR OFF] button while the turntable is rotating (the motor stops and the rotation gradually slows down and stops). If you press the [START/STOP] button after the rotation stops, it will start rotating again.
- Attach the stylus cover to protect the stylus tip when you're not playing a record. Attach the dust cover to the unit from above while supporting both sides of the dust cover.

---

---

## Using DVS without using the tone arm

---

---

### Playback

- Install the Magvel Clamp beforehand (page 11)

- 1 Set the DJ software to [REL] mode.**
- 2 Press the [NEEDLE MODE] button to switch to Digital Vinyl mode.**
- 3 Press the [APPLICATION] button to select the DJ software you're going to use.**
- 4 Press the [DECK] button to select the deck to display the key and BPM of on the OLED display.**
- 5 Press the [START/STOP] button.**  
The turntable starts rotating.

---

### Stopping playback

- 1 Press the [START/STOP] button.**  
The rotation of the turntable stops.

---

---

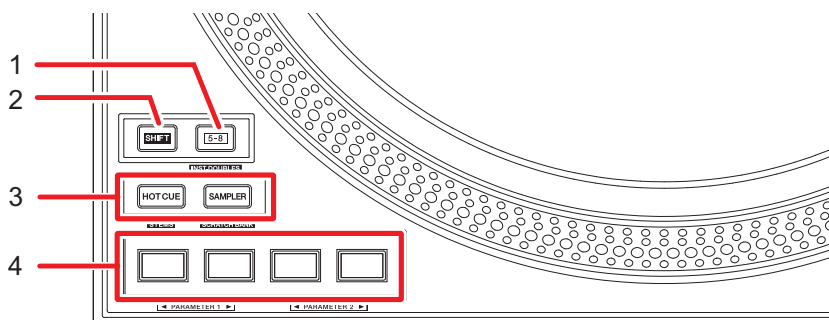
# Using the Performance Pads

- Connect your PC/Mac or DJ mixer to the unit with a USB cable.
- Use the [DECK/UTILITY] button to select a deck to use with the Performance Pads.

---

---

## Performance Pad section



### 1. **5-8 button**

Switches the Performance Pads between 1 - 4 and 5 - 8.

- Press the [5-8] button while pressing the [SHIFT] button to load a track that's loaded to another deck onto the deck on which you're pressing the [5-8] button (Instant Doubles). If you do this while the track is playing, it plays from the same position.
- Press a Performance Pad while pressing the [5-8] button to call up another function assigned to the pad.

### 2. **SHIFT button**

Press a button on the unit while pressing the [SHIFT] button to call up another function assigned to the button.

### 3. **Pad mode (HOT CUE, SAMPLER) buttons**

When using the unit with Serato DJ Pro:

Operation	HOT CUE button	SAMPLER button
Press	Hot Cue mode	Sampler mode
Press while pressing the [SHIFT] button	Stems mode	Scratch Bank mode
Press twice	Roll mode	Saved Loop mode

# Using the Performance Pads

Operation	HOT CUE button	SAMPLER button
-----------	----------------	----------------

Press twice while pressing the **[SHIFT]** button

User mode 1

User mode 2

---

When using the unit with rekordbox:

Operation	HOT CUE button	SAMPLER button
-----------	----------------	----------------

Press

Hot Cue mode

Sampler mode

---

Press while pressing the **[SHIFT]** button

Track Separation mode

Sample Scratch mode

---

Press twice

Pad FX1

Beat Jump mode

---

Press twice while pressing the **[SHIFT]** button

User mode 1

User mode 2

---

## 4. Performance Pads



---

## Serato DJ Pro

---

---

### Hot Cue mode

You can call up a Hot Cue quickly and start playback by pressing a Performance Pad.

- You can set up to 8 Hot Cues per track.

#### 1 Press the [HOT CUE] button.

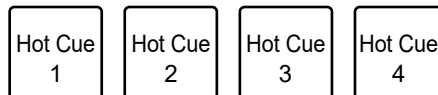
The unit switches to Hot Cue mode.

#### 2 Press a Performance Pad at the point where you want to set a Hot Cue during playback or pause.

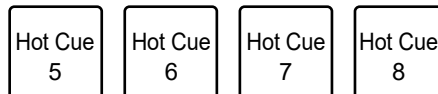
A Hot Cue is set.

- Hot Cues are assigned to the Performance Pads as follows.

When the [5-8] button light is off:



When the [5-8] button is lit:



#### 3 Press a Performance Pad to which a Hot Cue is set.

Playback starts from the Hot Cue point.

- Press a Performance Pad while pressing the [SHIFT] button to delete a Hot Cue set to the pad.
- Press the pad 1 while pressing the [5-8] button to enter Flip recording standby mode.
- Press the [5-8] button and the pad 1 while recording Flip to stop recording the Flip.
- Press the pad 2 while pressing the [5-8] button to start playback of the recorded Flip.
- Press the pad 3 while pressing the [5-8] button to turn on and off loop playback of Flip.
- Press the pad 4 while pressing the [5-8] button to activate or deactivate the recorded Flip.

---

## Sampler mode

You can start playback of a track loaded in a Sampler slot using a Performance Pad.

**1 Display the [SAMPLER] pane on the Serato DJ Pro screen.**

**2 Press the [SAMPLER] button on the unit.**

The unit switches to Sampler mode.

**3 Press the pad 1 or pad 2 while pressing the [5-8] button to switch Sampler banks.**

There are 4 banks (A, B, C, D) to switch between.

- Each bank has 8 slots.

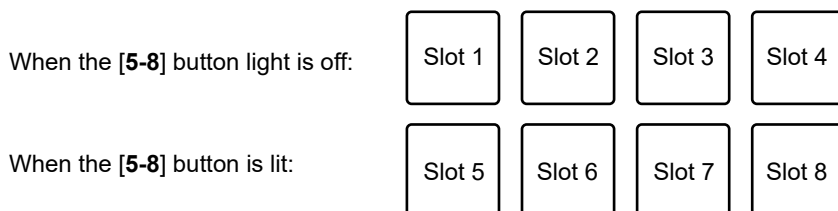
**4 Drag and drop a track to each slot on the [SAMPLER] pane to load it on the Serato DJ Pro screen.**

The Sampler settings and the loaded tracks are saved.

**5 Press the Performance Pad matching the slot (track) you want to play.**

Slot playback starts.

- Slots are assigned to the Performance Pads as follows.



- Playback methods differ according to the Sampler mode set in Serato DJ Pro. For details, refer to the Serato DJ Pro software manual (page 6).
- Press the Performance Pad while pressing the [SHIFT] button to stop slot playback.
- Press the pad 3 or pad 4 while pressing the [5-8] button to select sampler sound output destination.

---

## Stems mode

You can separately control the Vocal, Melody, Bass, and Drums Stems.

### 1 Press the [HOT CUE] button while pressing the [SHIFT] button.

The unit switches to Stems mode.

### 2 Press a Performance Pad assigned with the function you want to use.

- Functions are assigned to the Performance Pads as follows.

When the [5-8] button light is off:

Vocal	Melody	Bass	Drums
-------	--------	------	-------

When the [5-8] button is lit:

Vocal Echo	Instrumental Echo	Instrumental Braker	Drums Echo
------------	-------------------	---------------------	------------

- Vocal: Turns mute on and off for the Vocal Stem.
  - Melody: Turns mute on and off for the Melody Stem.
  - Bass: Turns mute on and off for the Bass Stem.
  - Drums: Turns mute on and off for the Drums Stem.
  - Vocal Echo: Applies the echo out effect to the Vocal Stem and mutes the Vocal Stem.
  - Instrumental Echo: Applies the echo out effect to the Melody, Bass, Drums Stems and mutes the Melody, Bass, Drums Stems.
  - Instrumental Braker: Applies the braker effect to the Melody, Bass, Drums Stems and mutes Melody, Bass, Drums Stems.
  - Drums Echo: Applies the echo out effect to the Drums Stem and mutes the Drums Stem.
- Press the pad 1 while pressing the [5-8] button to turn on and off playback of the Acapella Stem.
  - Press the pad 2 while pressing the [5-8] button to turn on and off playback of the Melody, Bass, Drums Stems.
  - Press the pad 3 while pressing the [5-8] button to set the echo out effect to 1/2 beat.
  - Press the pad 4 while pressing the [5-8] button to set the echo out effect to 1 beat.

---

## Scratch Bank mode

The track in the Scratch Bank is loaded to the deck.

- 1 **Open the [SCRATCH BANK] pane on the Serato DJ Pro screen.**
- 2 **Press the [SAMPLER] button while pressing the [SHIFT] button.**

The unit switches to Scratch Bank mode.

- 3 **Press the pad 1 or pad 2 while pressing the [5-8] button to switch Scratch Banks.**

There are 4 banks (A, B, C, D) to switch between.

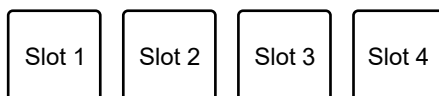
- Each bank has 8 slots.

- 4 **Press the Performance Pad assigned with the Scratch Bank you want to load.**

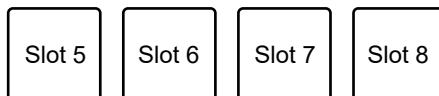
The sound of the Scratch Bank is loaded to the unit.

- Slots are assigned to the Performance Pads as follows.

When the [5-8] button light is off:



When the [5-8] button is lit:



- Press a Performance Pad while pressing the [SHIFT] button to load the last loaded track.

---

## Roll mode

Loop Roll playback continues according to the assigned number of beats while you press the pad.

### 1 Press the [HOT CUE] button twice.

The unit switches to Roll mode.

### 2 Press the pad 1 or pad 2 while pressing the [5-8] button.

The numbers of beats assigned to the Performance Pads change as follows each time you press the button.

- 1/32 to 4 beats
- 1/16 to 8 beats
- 1/8 to 16 beats
- 1/4 to 32 beats

Example: When set to 1/8 to 16 beats, the numbers of beats are assigned to the Performance Pads as follows.

When the [5-8] button light is off:	1/8	1/4	1/2	1
When the [5-8] button is lit:	2	4	8	16

The numbers of beats are displayed on the Serato DJ Pro screen.



### 3 Press the Performance Pad assigned with the number of beats you want to play in a loop.

Loop Roll playback continues according to the assigned number of beats while you press the Performance Pad.

# Using the Performance Pads

- Normal playback continues with its original rhythm in the background during Loop Roll playback, but you can't hear this.
- Release the Performance Pad to end the Loop Roll playback. Normal playback starts from the exact point the track would have reached by now.

---

## Saved Loop mode

You can save a loop to a Saved Loop slot in Serato DJ Pro and call up a saved loop.

### 1 Press the [SAMPLER] button twice.

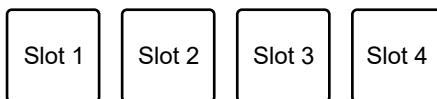
The unit switches to Saved Loop mode.

### 2 Press a Performance Pad during loop playback.

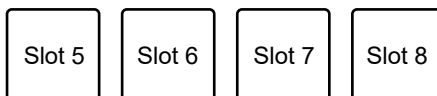
A loop is assigned to the Saved Loop slot in Serato DJ Pro.

- Slots are assigned to the Performance Pads as follows.

When the [5-8] button light is off:



When the [5-8] button is lit:



### 3 Press a Performance Pad with a loop assigned while pressing the [SHIFT] button.

Loop playback starts from the beginning of the loop.

- Press the pad 1 or pad 2 while pressing the [5-8] button during loop playback to change the length of the loop being played. The setting of the called-up loop is overwritten with the changed setting.
  - Press the pad 3 or pad 4 while pressing the [5-8] button during loop playback to move a loop without changing the loop length. The setting of the called-up loop is overwritten with the changed setting.
- Press the Performance Pad again to cancel loop playback.

---

## User mode

You can assign your favorite Serato DJ Pro functions to the Performance Pads on the unit using the MIDI assign of Serato DJ Pro.

- For details on the MIDI assign of Serato DJ Pro, refer to the Serato DJ Pro software manual (page 6).

### 1 Press the [HOT CUE] or [SAMPLER] button twice while pressing the [SHIFT] button.

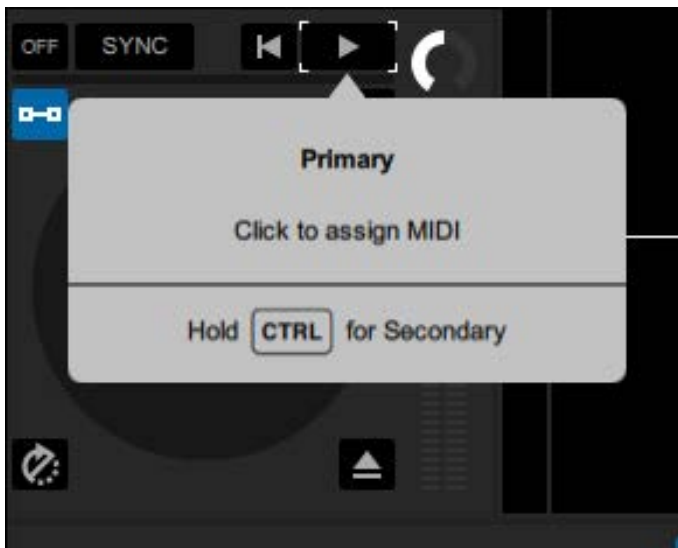
- [HOT CUE]: Switches to the user mode 1.
- [SAMPLER]: Switches to the user mode 2.

### 2 Click [MIDI] on the Serato DJ Pro screen.

Serato DJ Pro switches to MIDI assignment mode.

### 3 Click the function to assign to a Performance Pad.

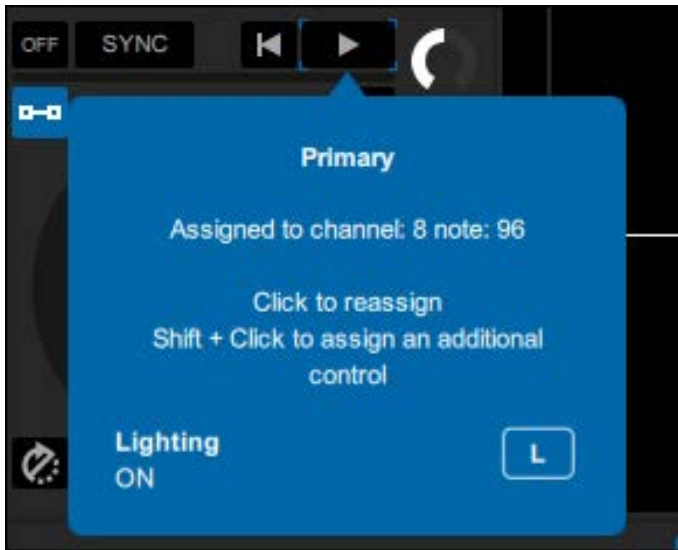
Example: When you assign [▶] (Play/Pause)



### 4 Press the Performance Pad to assign the function to.

After the function is assigned to the Performance Pad, the completion message appears.

# Using the Performance Pads



## 5 Click [MIDI] on the Serato DJ Pro screen.

MIDI assignment mode closes.

- You can use the function assigned to the Performance Pad in User mode.



---

## rekordbox

---

---

### Hot Cue mode

You can call up a Hot Cue quickly and start playback by pressing a Performance Pad.

- You can also call up a loop instead of a Hot Cue.
- You can set up to 16 Hot Cues per track, however you can set or call up 8 Hot Cues using this unit.

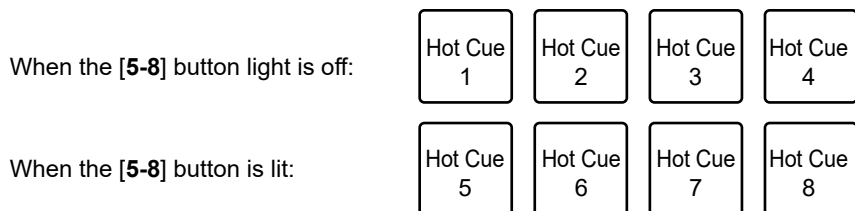
#### 1 Press the [HOT CUE] button.

The unit switches to Hot Cue mode.

#### 2 Press a Performance Pad at the point where you want to set a Hot Cue during playback or pause.

A Hot Cue is set.

- Hot Cues are assigned to the Performance Pads as follows.



#### 3 Press a Performance Pad with a Hot Cue set.

Playback starts from the Hot Cue point.

- Press a Performance Pad while pressing the [SHIFT] button to delete a Hot Cue set to the pad.
- Press the pad 1 or pad 2 while pressing the [5-8] button to call up a Memory Cue.

---

## Sampler mode

You can play a track loaded to a Sampler slot using the Performance Pads.

### 1 Press the **[SAMPLER]** button.

The unit switches to Sampler mode.

### 2 Press the pad 1 or pad 2 while pressing the **[5-8]** button to switch Sampler Banks.

There are 4 banks (A, B, C, D) to switch between.

- Each bank has 16 slots.

### 3 Drag and drop a track to each slot on the **[SAMPLER]** pane to load it on the rekordbox screen.

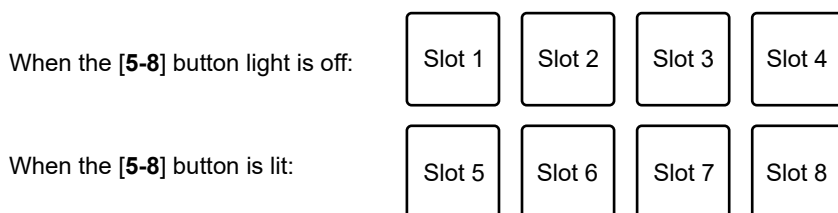
The Sampler settings and the loaded tracks are saved.

- You may not be able to load a track to a Sampler slot which already has a track loaded, depending on the Preferences settings in rekordbox.

### 4 Press the Performance Pad matching the slot (track) you want to play.

Slot playback starts.

- Slots are assigned to the Performance Pads as follows.



- You can use 8 slots on the left on the rekordbox screen when using the deck 1 or 3, and 8 slots on the right when using the deck 2 or 4.
- Press the Performance Pad during sampler playback to resume playback from the beginning.
- Press the Performance Pad while pressing the **[SHIFT]** button to stop slot playback.

---

## Track Separation mode

You can separately control the vocal, INST, drums parts.

### 1 Press the [HOT CUE] button while pressing the [SHIFT] button.

The unit switches to Track Separation mode.

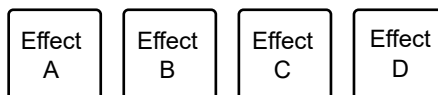
### 2 Press a Performance Pad assigned with the function you want to use.

- Functions are assigned to the Performance Pads as follows.

When the [5-8] button light is off:



When the [5-8] button is lit:



- Vocal: Turns mute on and off for the vocal part when Mute is set. Outputs only the vocal part when Solo is set. Press the pad again to output all parts.
- INST: Turns mute on and off for the instrumental part when Mute is set. Outputs only the instrumental part when Solo is set. Press the pad again to output all parts.
- Drums: Turns mute on and off for the drums part when Mute is set. Outputs only the drums part when Solo is set. Press the pad again to output all parts.
- Mute/Solo: Switches between Mute and Solo. Lights up dimly in white when Solo is set and turns off when Mute is set.
- Effect A: Applies the effect A of the Pad FX bank 2.
- Effect B: Applies the effect B of the Pad FX bank 2.
- Effect C: Applies the effect C of the Pad FX bank 2.
- Effect D: Applies the effect D of the Pad FX bank 2.

---

## Sample Scratch mode

You can load sampler audio to a deck and use it on the unit.

### 1 Press the [SAMPLER] button while pressing the [SHIFT] button.

The unit switches to Sample scratch mode.

### 2 Press the pad 1 or pad 2 while pressing the [5-8] button to switch Sampler Banks.

There are 4 banks (A, B, C, D) to switch between.

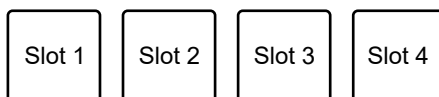
- Each bank has 16 slots.

### 3 Press the Performance Pad matching the slot (track) you want to play.

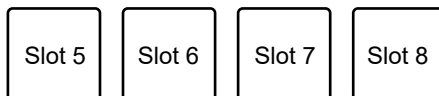
The sampler sound of the slot is loaded to the deck.

- Slots are assigned to the Performance Pads as follows.

When the [5-8] button light is off:



When the [5-8] button is lit:



- You can use 8 slots on the left on the rekordbox screen when using the deck 1 or 3, and 8 slots on the right when using the deck 2 or 4.
- Press the Performance Pad while pressing the [SHIFT] button to unload the sampler audio.

---

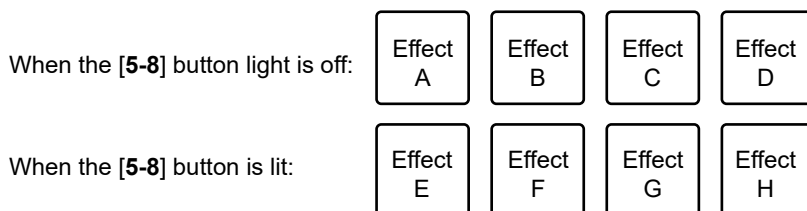
## Pad FX mode

You can apply effects using the Performance Pads.

### 1 Press the [HOT CUE] button twice.

The unit switches to Pad FX mode.

- Effects are assigned to the Performance Pads as follows.



### 2 Press the Performance Pad assigned with the effect you want to use.

The effect is applied according to the number of beats set to the Performance Pad while you press it.

### ❖ Using the Release FX of Pad FX

Assign a Release FX to the Performance Pads beforehand.

### 1 Press and hold a Performance Pad assigned with an effect other than Release FX.

The effect is applied according to the number of beats set to the Performance Pad while you press it.

### 2 Press a Performance Pad assigned with Release FX, then release it.

The effect that has been on until then is turned off and Release FX is turned on.

---

## Beat Jump mode

You can move the playback point quickly without breaking the rhythm of the track that's playing.

### 1 Press the [SAMPLER] button twice.

The unit switches to Beat Jump mode.

### 2 Press the pad 1 or pad 2 while pressing the [5-8] button.

The number of beats assigned to the Performance Pads changes as follows each time you press the pad.

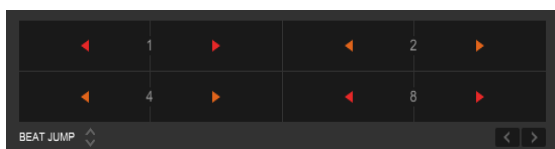
- Fine to 1/2 beats
- 1 to 8 beats
- 16 to 128 beats

Example: When 1 to 8 beats are set, the number of beats and direction are assigned to the Performance Pads as follows.

When the [5-8] button light is off:	1 beat (to the left)	1 beat (to the right)	2 beats (to the left)	2 beats (to the right)
When the [5-8] button is lit:	4 beats (to the left)	4 beats (to the right)	8 beats (to the left)	8 beats (to the right)

- Press the pad 3 or pad 4 while pressing the [5-8] button to fine adjust the number of beats to assign to the Performance Pads.

The number of beats assigned to the Performance Pads is displayed on the rekordbox screen.



### 3 Press the Performance Pad assigned with the number of beats and direction you want to jump.

The playback position moves by the number of beats and direction set for the pressed pad.

---

## User mode

You can assign your favorite rekordbox functions to the Performance Pads on the unit using the MIDI Learn function of rekordbox.

- For details on the MIDI Learn function of rekordbox, refer to the rekordbox MIDI LEARN Operation Guide (page 6).

### 1 Press the [HOT CUE] or [SAMPLER] button twice while pressing the [SHIFT] button.

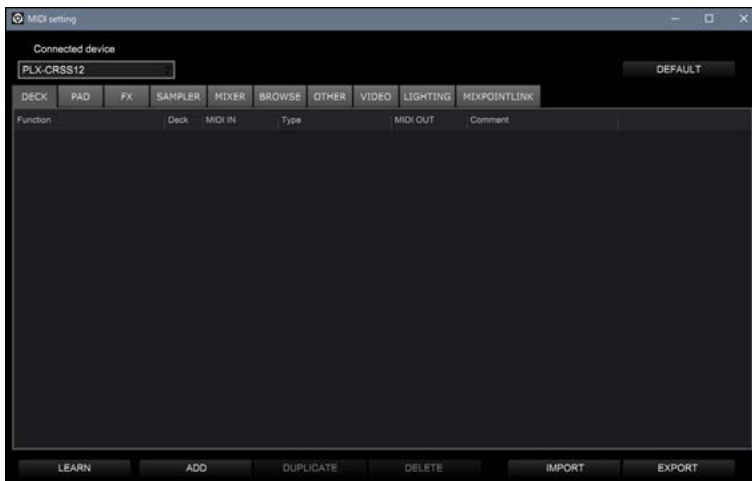
- [HOT CUE]: Switches to the user mode 1.
- [SAMPLER]: Switches to the user mode 2.

### 2 Click [MIDI] on the rekordbox screen.

The MIDI settings are displayed.

### 3 Click PLX-CRSS12 in the connected device list.

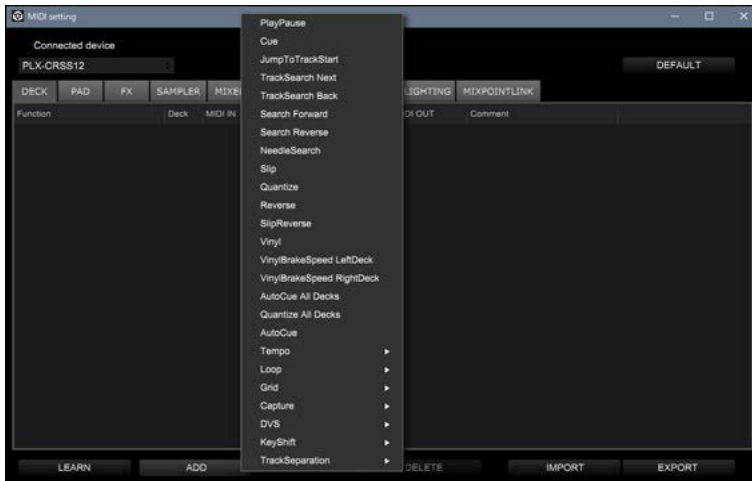
The MIDI status of the selected device is displayed in the list (blank if MIDI isn't set).



### 4 Click the [ADD] button then click the function you want to assign.

The selected function is added to the bottom of the list.

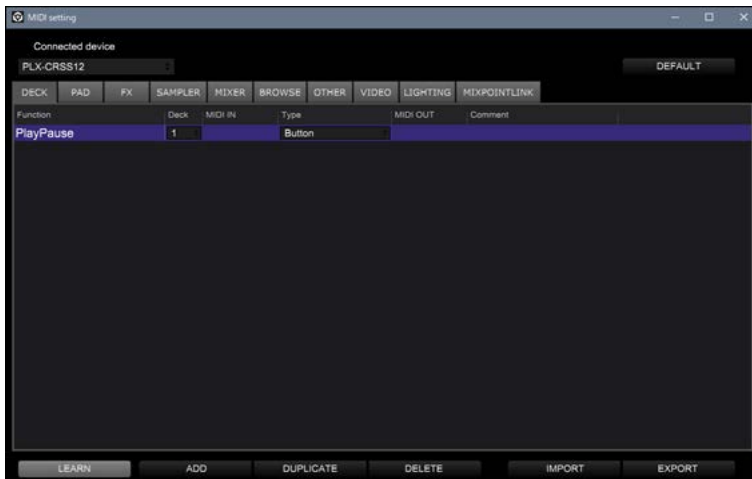
# Using the Performance Pads



## 5 Click the function in the list then click [LEARN].

The [LEARN] button turns on and lights up.

Example: When you assign [▶] (PlayPause)

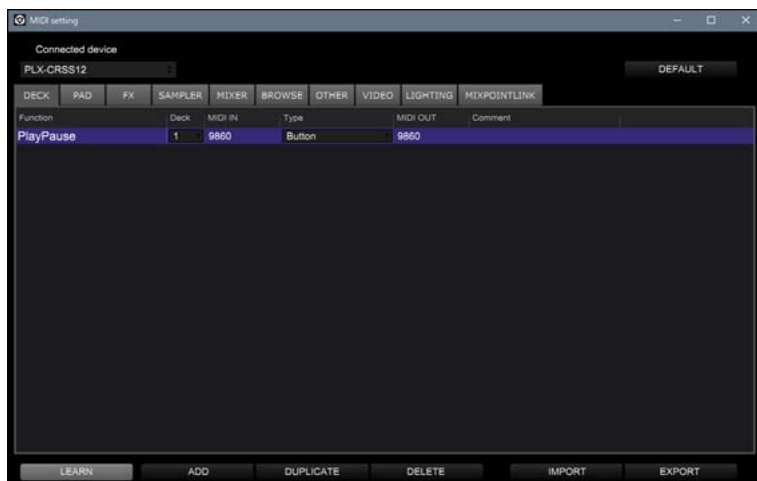


## 6 Press the Performance Pad to assign the function to.

If the rekordbox receives a MIDI code, it is displayed in the [MIDI IN] column.



# Using the Performance Pads



## 7 Click [MIDI] on the rekordbox screen.

MIDI setting screen closes.

- You can use the function assigned to the Performance Pad in User mode.

---

---

# Settings

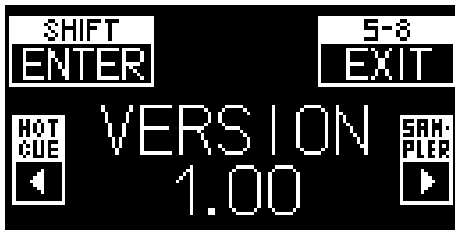
---

---

## Changing the settings

- 1 Press and hold the [DECK/UTILITY] button.

The Utility screen appears.



- 2 Press the [HOT CUE] or [SAMPLER] button to select a setting item.
- 3 Press the [SHIFT] button to confirm the setting item.

The settings screen appears.

- 4 Press the [HOT CUE] or [SAMPLER] button to select a setting value.
- 5 Press the [SHIFT] button to confirm the setting value.

The setting value is set and the next level up is displayed.

- 6 Press the [5-8] or [DECK/UTILITY] button.

The Utility screen closes.

- Press the [5-8] or [DECK/UTILITY] button during setting to cancel setting. The settings screen closes.

## Utility settings

\*: Factory setting

Setting item	Description
<b>VERSION</b>	Displays the version of the firmware on the unit.
<b>TORQUE ADJUST</b>	Sets the turntable torque. <ul style="list-style-type: none"> <li>Setting values: <b>LOW</b>, <b>MID</b><sup>*</sup>, <b>HIGH</b></li> </ul>
<b>LED BRIGHTNESS</b>	Sets the brightness of the buttons and display. <ul style="list-style-type: none"> <li>Setting values: <b>1</b><sup>*</sup>, <b>2</b>, <b>3</b></li> </ul>
<b>POWER MANAGEMENT</b>	Sets the Power Management function (page 59). <ul style="list-style-type: none"> <li>Setting values: <b>OFF</b>, <b>ON</b><sup>*</sup></li> </ul>
<b>FACTORY RESET</b>	Restores the settings to the factory settings. <ul style="list-style-type: none"> <li>Setting values: <b>RESET</b>, <b>CANCEL</b><sup>*</sup></li> </ul>

## Power Management

When [**POWER MANAGEMENT**] is set to [**ON**], the unit enters Off mode after 20 minutes without being used.

Press the [**MOTOR OFF**] button to exit Off mode.

- The factory setting is [**ON**].
- Set [**POWER MANAGEMENT**] to [**OFF**] if you don't need to use the Power Management function.
- Power consumption may increase when [**POWER MANAGEMENT**] is set to [**OFF**].

---

---

## Using DJ software (MIDI)

If you connect a PC/Mac with MIDI software installed, to the unit via a USB cable, you can control the DJ software (other than Serato DJ Pro and rekordbox) via the unit.

- For details on the unit's MIDI messages, visit the URL below.

[pioneerdj.com/support/](http://pioneerdj.com/support/)

- Install DJ software and configure the audio and MIDI settings on a PC/Mac beforehand.
- You can't use some buttons on the unit for controlling DJ software depending on the DJ software you use.

---

---

# Specifications

## General

Power requirements.....	AC 110 V – 240 V, 50 Hz / 60 Hz
Power consumption .....	8 W
Power consumption (off).....	0.3 W
Main unit weight.....	12.2 kg / 26.9 lbs.
Max. external dimensions .....	(W x D x H) 453 x 353 x 159 mm / 17.8" x 13.9" x 6.3"
Tolerable operating temperature.....	+5 °C – +35 °C (+41 °F – +95 °F)
Tolerable operating humidity.....	5 % – 85 % (no condensation)

## Turntable part

Drive method.....	Servo type direct drive
Motor.....	3-phase brushless DC motor
Braking system .....	Electronic brake
Rotation speed.....	33 1/3 rpm, 45 rpm
Rotation speed adjustment range .....	±8 %, ±16 %, ±50 %
Wow and flutter .....	0.15 % or less WRMS (JIS WTD)
S/N ratio.....	65 dB (DIN-B)
Turntable.....	Aluminum die-casting Diameter: 332 mm
Starting torque	
High.....	0.45 N·m (4.5 kgf·cm) or more
Mid .....	0.32 N·m (3.2 kgf·cm)
Low.....	0.2 N·m (2.0 kgf·cm)
Start time.....	0.3 seconds (at 33 1/3 rpm)
Brake time	
Max .....	3.5 seconds
Mid .....	1.0 seconds
Min .....	0.5 seconds or less

## Tone arm part

Arm type.....	Universal type S-shape tone arm, gimbal-supported type bearing structure, static balance type
Effective length .....	230 mm
Overhang .....	15 mm
Tracking error.....	Within 3°
Arm height adjustment range.....	6 mm
Stylus pressure variable range .....	0 g – 4.0 g (1 scale 0.1 g)

# Specifications

Proper cartridge weight.....	2.5 g – 12 g
* Cartridge weight includes the mounting screws and nuts.	
When shell weight is used .....	2.5 g – 5.5 g
When only balance weight is used.....	5 g – 9 g
When sub weight is used .....	8.5 g – 12 g

## **Input / Output terminals**

PHONO output terminal	
RCA pin jacks .....	1 set
USB terminal	
Type-C.....	1 set

The specifications and design of this product are subject to change without notice.

---

---

# Additional information

---

---

## Troubleshooting

If you think something is wrong with the unit, check the information below and refer to the [FAQ] for the PLX-CRSS12 at the URL below.

[pioneerdj.com/support/](http://pioneerdj.com/support/)

- Inspect devices connected with the unit.
- The unit may restore proper operation after you turn it off and on.

If the problems continue, read the Precautions for Use and consult an authorized service company or your dealer.

---

---

## Power

### ❖ The unit doesn't turn on.

- Check the power cord is connected to the unit correctly.
- Press the ⏻ button on the rear of the unit to turn it on.

---

---

## Audio output

### ❖ The unit doesn't output sound / the volume is low.

- Check audio cables are connected properly.
- Wipe any dust or dirt off the terminals and plugs before connecting them.
- Check if the headshell is connected correctly.

### ❖ The volume is too low or high.

- Check the amplifier connection is appropriate for the cartridge type (output). Connect the connection cable correctly.

### ❖ Left and right sounds are reversed.

- Check the left and right connections of each device aren't reversed.
- Connect the audio cables and lead wire of the headshell correctly.

### ❖ **Low-pitched buzzing sound (hum/buzz) is heard during playback.**

- If there are fluorescent lamps or power cords of other equipment near the connection cords of the unit, keep them as far away as possible.
- Check the ground wire of the unit is connected correctly.

---

## **Analog record playback**

### ❖ **The stylus tip doesn't touch the record.**

- Set the stylus pressure correctly. Set the balance weight to the appropriate stylus pressure value of the cartridge.
- Adjust by turning the balance weight until the tone arm becomes horizontal.

### ❖ **The stylus jumps.**

- Set the stylus pressure correctly. Set the balance weight to the appropriate stylus pressure value of the cartridge.
- Check the record isn't warped or scratched.
- If the stylus tip is dirty, remove the headshell and use a soft brush or something similar to remove dust and debris from the stylus tip of the cartridge.
- Adjust the anti skating setting correctly.
- Adjust the height of the tone arm correctly.

### ❖ **The arm stops halfway through playing the record and doesn't move.**

- Check the record isn't warped or scratched.
- Remove any obstacles around the arm.

---

## **Using DVS without using the tone arm**

### ❖ **Can't play music correctly.**

- Press the [NEEDLE MODE] button to set to Digital Vinyl mode.
- Check the Magvel Clamp is set correctly.
- If you're using a thick rubber mat between the turntable and the Magvel Clamp, remove it.
- If there is metal or other debris attached to the back of the Magvel Clamp or to the hole in the center on the back, remove it.



### ❖ **Rotation is too heavy when the Magvel Clamp is installed.**

- Install the Magvel Clamp correctly (page 11).
- If the dial is set to the [HEAVY] side, turn it to the [LIGHT] side.

### ❖ **Rotation is too light when the Magvel Clamp is installed.**

- Install the Magvel Clamp correctly (page 11).
- If the dial is set to the [LIGHT] side, turn it to the [HEAVY] side.

---

---

## Cautions on use

---

### When transporting the unit over a long distance

Use the original packaging material.

If you don't have the original packaging, do the following:

- Remove the platter (remove 6 screws) from the unit before packaging.
- Remove the headshell and balance weight from the tone arm before packaging.
- Fix the tone arm with the arm clasper and tie it with tape to keep it from moving.
- Wrap the unit with a blanket or soft paper so it won't be damaged.

---

---

## Cleaning

- Turn off the amplifier before attaching or detaching the headshell, or the speakers may be damaged.
- Remove the headshell, and remove dust and debris from the stylus tip of the cartridge with a soft brush or something similar.
- Clean records with a record cleaner.
- Wipe the headshell terminal with a soft cloth and attach it to the tone arm.

---

---

## Cleaning the dust cover and cabinet

- Clean the dust cover and cabinet with a soft cloth.
- Normally, clean the dust cover and cabinet with a dry soft cloth.
- If the dust cover and cabinet are very dirty, soak a soft cloth in neutral detergent diluted 5 - 6 times with water, wring it out well, wipe off the dirt, then wipe with a dry cloth.
- Be careful not to use alcohol, thinner, benzine, insecticide, etc., as this may cause the printing or coating to come off.
- Avoid prolonged contact with rubber or vinyl products as this will damage the cabinet.
- When using chemical wipes, etc., read the precautions attached to the chemical wipes carefully.
- Do not wipe the dust cover during playback. Static electricity can build up and pull the tone arm against the dust cover.

---

---

## Caring for the Magvel Clamp

- There is an adhesive sheet attached to the back of the Magvel Clamp. If the sheet loses adhesiveness, wash it with water. Be careful not to let water get inside the Magvel Clamp.
- Check there is no metal object attached to the back of the Magvel Clamp. If something is attached, remove it.

### **Trademarks and registered trademarks**

- Pioneer DJ is a trademark of PIONEER CORPORATION and is used under license.
- rekordbox™ is a trademark or registered trademark of AlphaTheta Corporation.
- Mac is a trademark of Apple Inc., registered in the U.S. and other countries and regions.
- Windows is a registered trademark of Microsoft Corporation in the U.S. and other countries and regions.
- Serato DJ Pro is a registered trademark of Serato Limited.

Other product, technology and company names, etc. mentioned herein are trademarks or registered trademarks of their respective owners.

---

---

## Software license notice

### Apache

Copyright (c)2006-2022 NXP Semiconductors. All rights reserved.

MCUXpresso SDK: Apache-2.0

Licensed under the Apache License, Version 2.0 (the License); you may not use this file except in compliance with the License.

You may obtain a copy of the License at

[www.apache.org/licenses/LICENSE-2.0](http://www.apache.org/licenses/LICENSE-2.0)

Unless required by applicable law or agreed to in writing, software distributed under the License is distributed on an AS IS BASIS, WITHOUT WARRANTIES OR CONDITIONS OF ANY KIND, either express or implied.

See the License for the specific language governing permissions and limitations under the License.

### FreeRTOS Kernel V10.3.0

Copyright (C) 2020 Amazon.com, Inc. or its affiliates. All Rights Reserved.

Permission is hereby granted, free of charge, to any person obtaining a copy of this software and associated documentation files (the "Software"), to deal in the Software without restriction, including without limitation the rights to use, copy, modify, merge, publish, distribute, sublicense, and/or sell copies of the Software, and to permit persons to whom the Software is furnished to do so, subject to the following conditions:

The above copyright notice and this permission notice shall be included in all copies or substantial portions of the Software.

THE SOFTWARE IS PROVIDED "AS IS", WITHOUT WARRANTY OF ANY KIND, EXPRESS OR IMPLIED, INCLUDING BUT NOT LIMITED TO THE WARRANTIES OF MERCHANTABILITY, FITNESS FOR A PARTICULAR PURPOSE AND NONINFRINGEMENT. IN NO EVENT SHALL THE AUTHORS OR COPYRIGHT HOLDERS BE LIABLE FOR ANY CLAIM, DAMAGES OR OTHER LIABILITY, WHETHER IN AN ACTION OF CONTRACT, TORT OR OTHERWISE, ARISING FROM, OUT OF OR IN

CONNECTION WITH THE SOFTWARE OR THE USE OR OTHER DEALINGS IN THE SOFTWARE.

<http://www.FreeRTOS.org>

<http://aws.amazon.com/freertos>

---

---

## Cautions on copyrights

rekordbox restricts playback and duplication of copyright-protected music contents.

- When coded data, etc., for protecting the copyright is embedded in the music contents, it may not be possible to operate the program normally.
- When rekordbox detects that coded data, etc., for protecting the copyright is embedded in the music contents, processing (playback, reading, etc.) may stop.

Recordings you have made are for your personal enjoyment and according to copyright laws may not be used without the consent of the copyright holder.

- Music recorded from CDs, etc., is protected by the copyright laws of individual countries and by international treaties. It is the full responsibility of the person who has recorded the music to ensure that it is used legally.
- When handling music downloaded from the Internet, etc., it is the full responsibility of the person who has downloaded the music to ensure that it is used in accordance with the contract concluded with the download site.

The specifications and design of this product are subject to change without notice.

© 2023 AlphaTheta Corporation. All rights reserved.

<DRI1842-B>